

DEUBLIN

1005 Series "Closed Seal" Rotating Unions for Continuous Coolant Service

- Single passage for coolant or MQL
- Closed seals for transfer line and similar applications
- Full-flow design has no obstructions to trap swarf or debris
- Bearing-supported with threaded rotor for easy installation
- Labyrinth system and large vents to protect ball bearings
- Balanced mechanical seals made from silicon carbide for long life even under difficult operating conditions
- Anodised housing and stainless steel rotor resist corrosion

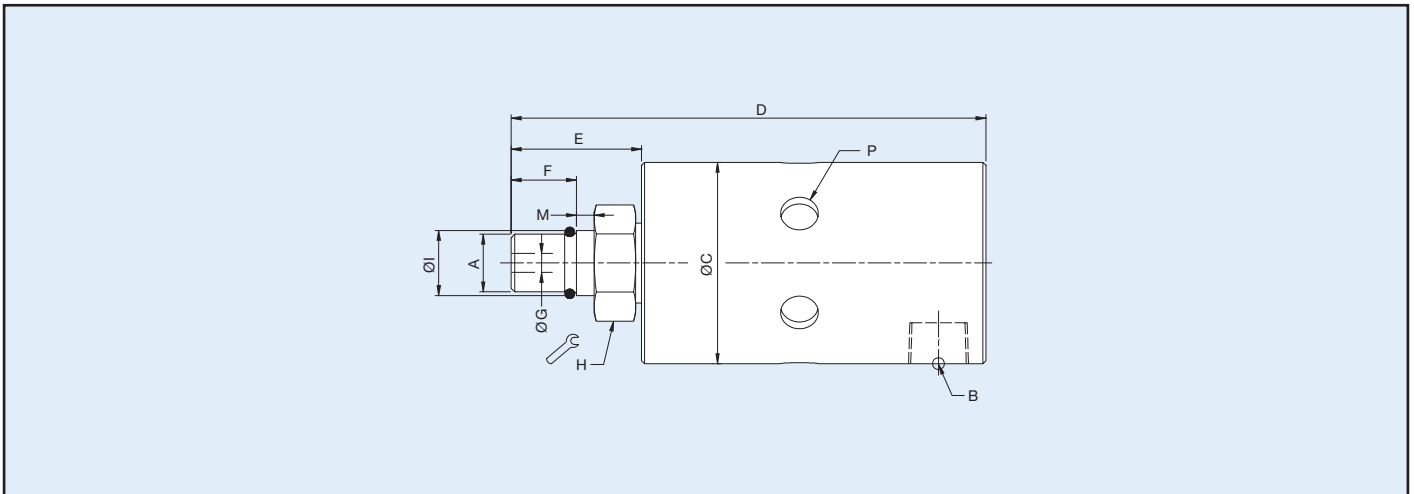
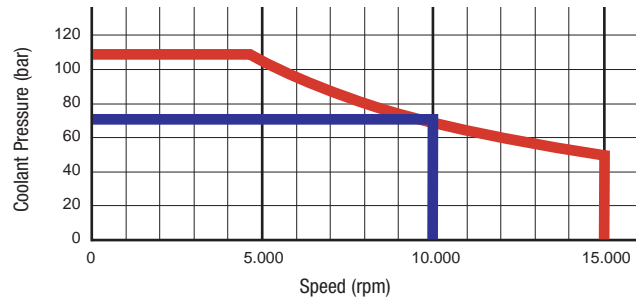


Operating Data

Media	Water-based Coolant MQL (oil mist) up to 10 bar (145 psi)	
Filtration	ISO 4406 Class 17/15/12, max. 60 micron	
Max. Speed	15,000 min ⁻¹	15,000 rpm
Max. Pressure	105 bar	1,523 psi
Max. Flow	6,7 l/min	1.8 gpm
Max. Temperature	71 °C	160 °F



DO NOT RUN DRY



Other 1005 models are available for use with oil or dry air. Please refer to the *DEUBLIN* Engineering Catalogue.

	Ordering Number	B Supply Connection	C Overall Diameter	D Overall Length	P Vent Size Ø (6 x 60°)	A Rotor Connection	E Rotor Length	F Thread Length	G Bore Diameter	H Across Flats	I Pilot Diameter	M Pilot Length
Radial	1005-402-401	1/8 NPT	34	80	6.4	M10 x 1 RH	22	11	3.2	17	10.994 / 10.989	3
	1005-402-448	1/8 NPT	34	80	6.4	M10 x 1 LH	22	11	3.2	17	10.994 / 10.989	3
R.	1005-704-434*	1/8 NPT	34	80	3 x Rp 1/8	M10 x 1 RH	22	11	3.4	17	10.994 / 10.989	5

* Also allowed for hydraulics, compressed air and defined dry run cycles. For further information please contact *DEUBLIN*.

【信德迈科技(北京)有限公司是美国Deublin杜博林旋转接头正式授权十年北方地区最大代理商】

产品选型资料及更详细产品介绍请点击：<http://www.cnmec.net>