

DEUBLIN®

Engineered for Performance



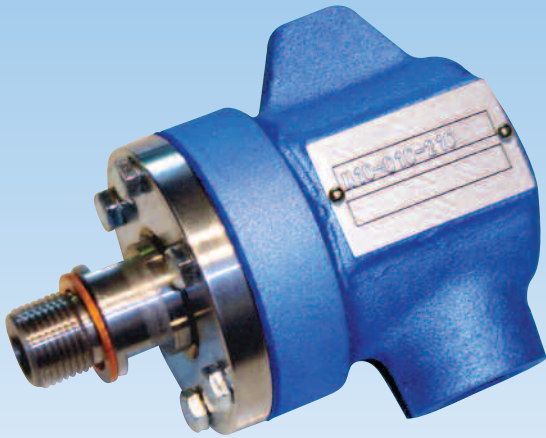
ROTATING UNIONS

water steam air hydraulic hot oil vacuum coolant custom applications

www.deublin.com

DEUBLIN

N Series Steam and Hot Oil Unions



- monoflow design: N10
- monoflow and duoflow design: N12
- self-supported rotating union
- large carbon graphite bearing
- pressurized spherical carbon graphite seal
- cast iron housing
- stainless steel rotor

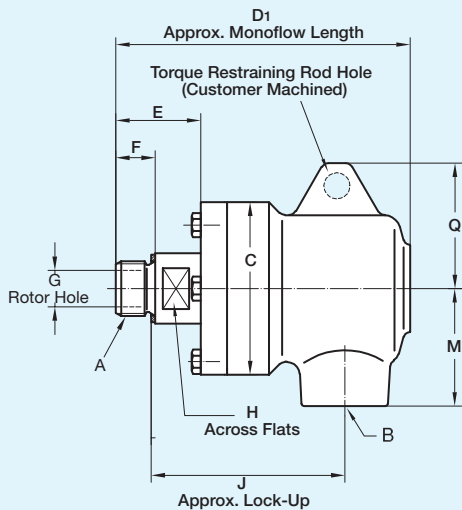
Operating Data

Maximum Steam Pressure ^①	250 PSI	17 bar
Maximum Steam Temperature	400°F	200°C
Maximum Hot Oil Pressure ^①	100 PSI	7 bar
Maximum Speed ^①	750 RPM	750/min

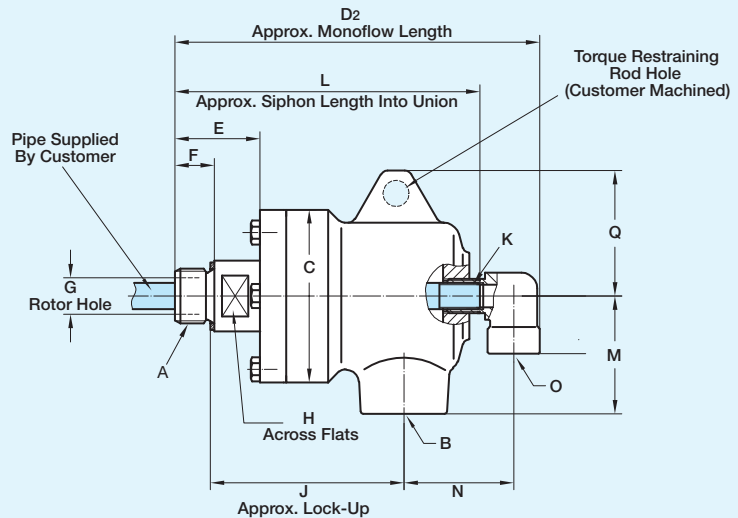
Maximum Hot Oil Temperature 450°F >450°F consult **DEUBLIN**

^① Union is designed for continuous operation at either maximum speed or maximum pressure. If operating conditions are close to maximum pressure and speed simultaneously, consult **DEUBLIN**.

Monoflow Union



Duoflow Union



	B Port NPT	Ordering Number		A Rotor Thread	C Dia.	D ₁	D ₂	E	F	G Rotor Hole	H	J ^①	K	L ^①	M	N	O	Q	Shpg. Wt.	
		Steam Service	Hot Oil 450°F Max.																	
Monoflow	3/8"	N10-020-214	N10-021-214	3/8" NPT RH	2 3/8"	4 1/8"	-	1 7/32"	1 9/32"	1 3/32"	2 1/32"	3"	-	-	1 9/16"	-	-	1 21/32"	2.4#	
		N10-020-215	N10-021-215	3/8" NPT LH																
		N10-020-210	N10-021-210	G 3/8" (BSP) RH	60	105	-	31	15	10	17	68.5	-	-	40	-	-	42	1.1 Kg	
		N10-020-211	N10-021-211	G 3/8" (BSP) LH																
	1/2"	N12-020-214	N12-021-214	1/2" NPT RH	2 19/32"	4 7/16"	-	1 9/32"	1 9/32"	9/16"	7/8"	3 1/8"	-	-	1 25/32"	-	-	1 29/32"	3.1#	
		N12-020-215	N12-021-215	1/2" NPT LH																
Duoflow	1/2"	N12-020-210	N12-021-210	G 1/2" (BSP) RH	66	112.5	-	32.5	15	14	22	74	-	-	45	-	-	48	1.4 Kg	
		N12-020-211	N12-021-211	G 1/2" (BSP) LH																
		N12-022-214-701	N12-023-214-701	1/2" NPT RH	2 19/32"	-	5 1/2"	1 9/32"	1 9/32"	9/16"	7/8"	3 3/8"	1/8" NPT	4 19/32"	1 25/32"	1 21/32"	1/4" NPT	1 29/32"	3.1#	
		N12-022-215-701	N12-023-215-701	1/2" NPT LH																
1/2"	1/2"	N12-022-210-701	N12-023-210-701	G 1/2" (BSP) RH	66	-	139.5	32.5	15	14	22	74	1/8" NPT	116.5	45	42	1/4" NPT	48	1.4 Kg	
		N12-022-211-701	N12-023-211-701	G 1/2" (BSP) LH																

^① Dimensions for NPT Rotor Threads are from Wrench Tight Engagement.



Since its establishment in 1945, the DEUBLIN COMPANY has consistently adhered to a policy of producing the best product of its kind in the market. The result of this policy has been constant growth through the years. For this progress we are grateful to our many loyal customers. We cordially invite you to visit our modern manufacturing facilities in Waukegan, Illinois; Hofheim-Wallau, Germany; Monteveglio, Italy and Dalian, China.

Sincerely,

Donald L. Deubler,
Chairman of the Board



Global Headquarters in Waukegan, Illinois, U.S.A.



Hofheim-Wallau, Germany



Monteveglio, Italy



Dalian, China

This catalog is available in the following languages:

English	Swedish	Spanish
German	Dutch	(European)
Japanese	Finnish	Spanish
Italian	Korean	(Latin America)
French	Danish	Portuguese
	Chinese	(Latin America)
		Russian



© Copyright 2006 DEUBLIN COMPANY. All Rights Reserved
Printed in the U.S.A.

DEUBLIN PRODUCTS & SERVICES ARE AVAILABLE THROUGHOUT THE WORLD

www.deublin.com
customerservice@deublin.com

AMERICAS

DEUBLIN Company

2050 Norman Drive, West
Waukegan, IL 60085-6747 U.S.A
Phone: 847 689-8600
Fax: 847 689-8690
e-mail: customerservice@deublin.com

CANADIAN OFFICE

9454 Route Trans-Canadienne
St-Laurent, Quebec H4S 1R7 Canada
Phone: 514 745-4100
Fax: 514 745-8612

DEUBLIN de Mexico

S. de R.L. de C.V.
Norte 79-A No. 77, Col. Claveria
02080 Mexico, D.F.
Phone: (52) 55-5342-0362
Fax: (52) 55-5342-0157
e-mail: deublinmx.net.mx

DEUBLIN Brasil

Juntas Rotativas de Precisão Ltda.
Rua Santo Antonio, 1458 Vila Galvão
Guarulhos, São Paulo, Brazil 07071-000
Phone: (55) 011-6455-3245
Fax: (55) 011-6455-2358
e-mail: deublinbrasil@deublinbrasil.com.br

ASIA

信德迈科技(北京)有限公司 CNMEC

北京市朝阳区望京SOHO-T1-C座2115室

P.O.Box : 100102

Phone : 010- 8428 2935, 8428 9077

13910962635

Fax : 010-8428 8762

E-mail: sales@cnmec.biz

Web site: www.cnmec.net

DEUBLIN Asia Pacific Pte Ltd

51 Goldhill Plaza, #11-11/12
Singapore 308900
Phone: (65) 6259-9225
Fax: (65) 6259-9723
email: deublin@singnet.com.sg

DEUBLIN Japan Limited

2-13-1, Minamihanayashiki
Kawanishi City 666-0026, Japan
Phone: (81) 72-757-0099
Fax: (81) 72-757-0120
e-mail: customerservice@deublin-japan.co.jp

DEUBLIN Korea Co., Ltd

104-11, Ssang-Ryung-Dong
Kwang-Ju-Si, Kyung-Gi-Do, Korea
Phone: (82) 31-763-3311
Fax: (82) 31-763-3309
e-mail: customerservice@deublin.co.kr

EUROPE

DEUBLIN GmbH

Nassaustrasse 10
D-65719 Hofheim-Wallau, Germany
Phone: (49) 6122-80 02-0
Fax: (49) 6122-158 88
e-mail: info@deublin.de

DEUBLIN Italiana Srl

Via Guido Rossa 9
40050 Monteveglio (BO), Italy
Phone: (39) 051-835611
Fax: (39) 051-832091
e-mail: info@deublin.it

DEUBLIN Limited

Royce Close, West Portway
Andover Hampshire SP10 3TS, UK
Phone: (44) 1264-333355
Fax: (44) 1264-333304
e-mail: deublin@deublin.co.uk

DEUBLIN Sarl

61 bis, Avenue de l'Europe
ZAC de la Malnoue
F-77184 Emerainville, France
Phone: (33) 1-64616161
Fax: (33) 1-64616364
e-mail: service.client@deublin.fr

Ibérica, S.L.

~~Avda~~ Bogatell 23
E-08005 Barcelona, Spain
Phone: (34) 93-2211223
Fax: (34) 93-2212093
e-mail: serviciocliente@deublin.es

Polska Sp. z o.o

~~PK-51-126~~ nskiego 201-219
Wroclaw, Poland
Phone: (48) 71-3528152
(48) 71-3207306
e-mail: info@deublin.pl

DEUBLIN Austria GmbH

Trazerberggasse 1/2
A-1130 Wien, Austria
Phone: (43) 1-8768450
Fax: (43) 1-876845030
e-mail: info@deublin.at

DEUBLIN Finland Oy

Kivääritehtaankatu 8
FI-40100 Jyväskylä, Finland
Phone: (358) 207 290 210
Fax: (358) 207 290 219
e-mail: info@deublin.fi

DEUBLIN Italiana Srl - Swedish Filial

Cylindervagen 18, Box 1113
S-13126 Nacka Strand, Sweden
Phone: (46) 8 716 2033