


Operating data:

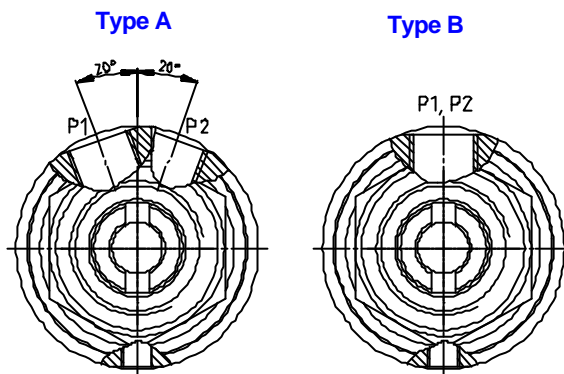
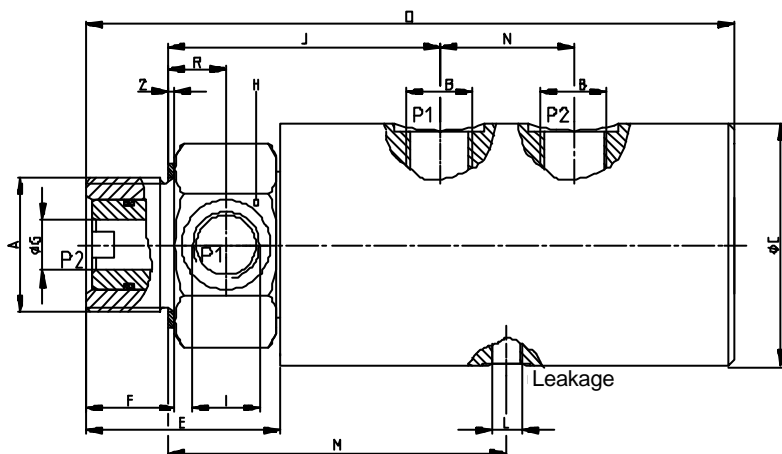
Medium:	Hydraulic fluid in accordance with DIN 51524	
Pressure:	3000	PSI
Speed:	250	RPM
Temperature:	160	°F
Filtration:	10	µm
Dry run:	not possible	
Design:	Ball bearings	
Number of channels:	2	
Sealing devices:	Slip Seals	
Materials:	Aluminium alloy, steel	

Characteristics:

- Robust Hydraulic Union for low speed operation
- Special seal elements for a long service life with no leakage
- Vent holes are provided so „cross-passage“ leakage cannot occur when seals eventually wear out

Application:

- In all cases, where several supply lines with different pressure loads or flow rates should be connected with a rotating machine shaft

Dimensions:
Connection arrangement


Ordering number	Replacement for:	A Rotor thread	B	type	Æ C	D	E	F	Æ G	H Hex	I	J	L	M	N	R	Weight kg
2300-001-105	2117-001-105	G 3/4 RH	1/4 NPT	A	72	136,5	45,5	19	7	36	1/4 NPT	61,6	1/8 NPT	73,5	23,5	15	1,5
2300-000-106	-	G 3/4 RH	G 1/4	A	72	136,5	45,5	19	7	46	G 1/4	61,6	G 1/8	73,5	23,5	15	1,5
2300-000-301	-	G 1 RH	G 1/4	A	72	142	51	18	8	46	G 1/4	68	G 1/8	80	23,5	21	1,75
2300-001-300	1690-000-168	G 1 RH	1/4 NPT	A	72	142	51	18	8	46	1/4 NPT	68	1/8 NPT	80	23,5	21	1,75
2300-401-500	1790-001-114	G 1 1/4 RH	1/2 NPT	B	76	203	61	28	16	55	1/2 NPT	85	1/8 NPT	106	42	18	3,1
2300-400-501	-	G 1 1/4 RH	G 1/2	B	76	203	61	28	16	55	G 1/2	85	G 1/8	106	42	18	3,1
2300-600	1890-060	G 1 1/2 RH	3/4 NPT	B	98	221	66	30	20,5	65	3/4 NPT	89	1/8 NPT	113	48,5	19,5	4,4
2300-601	-	G 1 1/2 RH	G 3/4	B	98	221	66	30	20,5	65	G 3/4	89	G 1/8	113	48,5	19,5	4,4