

DEUBLIN

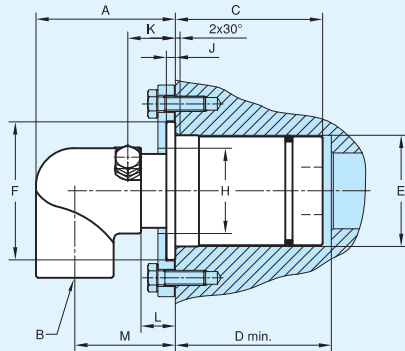
2400 Series Rotating Union for Water Service at Continuous Casting Steel Plants

- monoflow and duoflow design
- in-the-shaft mounted rotating union
- flanged housing or mounted with retaining plate
- balanced mechanical seal
- seal combination:
Silicon Carbide/Silicon Carbide
- brass housing and elbow
- stainless steel rotor and supply pipe
- long composite bearing
- full-media flow
- easily field repairable

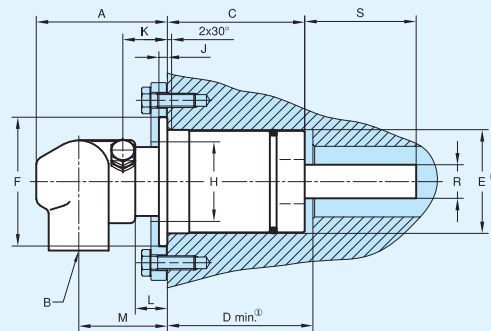
Operating Data

Maximum Water Pressure	150 PSI	10 bar
Maximum Speed	100 RPM	100/min
Maximum Temperature	250°F	>250°F consult DEUBLIN

Monoflow Rotating Union



Duoflow Rotating Union



	B Port	Ordering Number	A	C	D ①	E ①	F ①	H ①	J	K	L	M	N	O	P	Q	R ①	S	Shgp. Wt.
Monoflow	3/4" NPT	2420-001-130	2 15/16"	2 3/8"	2 7/16"	1.820 1.815	2 5/16"	1 5/32"	3/16"	1 1/32"	3/4"	2 1/8"	1 13/16"	1 7/16"	-	-	-	-	1 1/2#
	G 3/4" (BSP)	2420-001-139	75	60	62	46.22 46.10	59	25	5	26	19	54	46	36	-	-	-	-	.7 Kg
	1" NPT	2425-001-281	2 15/16"	3 1/16"	3 3/4"	2.317 2.312	2 7/8"	1 17/32"	3/16"	1 1/32"	3/4"	2 1/8"	1 13/16"	1 9/16"	-	-	-	-	3 1/2#
	G 1" (BSP)	2425-001-172	75	78	83	58.85 58.73	73	35	5	26	19	54	46	39	-	-	-	-	1.6 Kg
Duoflow	3/4" NPT	2420-001-135-180	2 15/16"	2 3/8"	2 7/16"	1.820 1.815	2 5/16"	1 5/32"	3/16"	1 1/32"	3/4"	2"	1 17/32"	1 7/16"	2"	3 11/32"	.511 510	1 15/16"	2#
	G 3/4" (BSP)	2420-001-141-180	75	60	62	46.22 46.10	59	25	5	26	19	51	39	36	51	85	13.00 12.95	49	.9 Kg
	3/4" NPT	2425-001-283-180	2 15/16"	3 1/16"	3 3/4"	2.317 2.312	2 7/8"	1 17/32"	3/16"	1 1/32"	3/4"	2"	1 17/32"	1 9/16"	2"	3 11/32"	.748 746	2 1/2"	4#
	G 3/4" (BSP)	2425-001-177-180	75	78	83	58.85 58.73	73	35	5	26	19	51	39	39	51	85	19.00 18.94	63.5	1.8 Kg
	1" NPT	2440-001-301-254	3 7/8"	3 7/16"	3 1 1/16"	2.800 2.795	3 3/8"	1 5/32"	3/16"	1 1/32"	3/4"	2 1/16"	1 11/16"	1 13/16"	2 1/2"	4 1/8"	1.130 1.125	1 7/8"	9#
	G 1" (BSP)	2440-001-306-254	98	87	94	71.12 70.99	86	50	5	26	19	68	43	46	64	105	28.70 28.58	48	4 Kg

① Denotes Shaft Dimension