



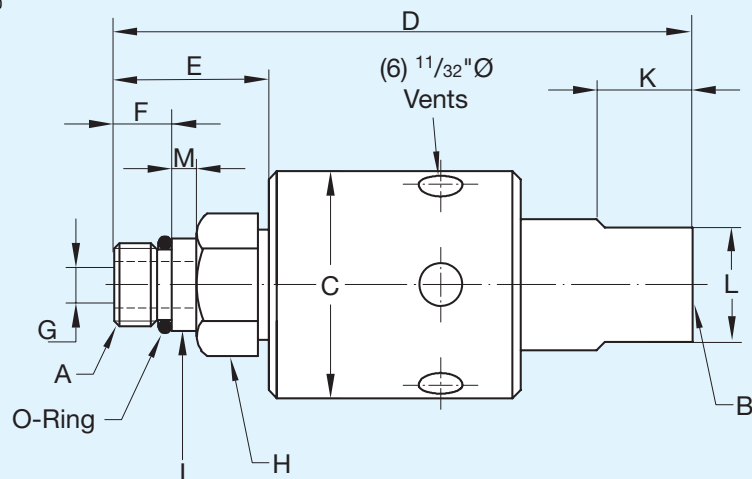
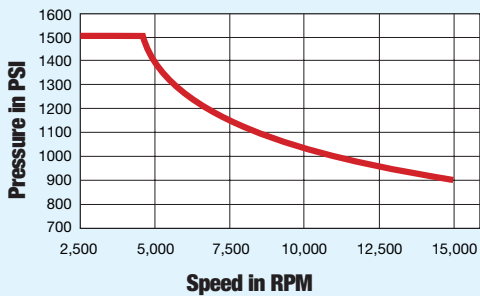
## DEUBLIN 1101 Coolant Unions

- monoflow design
- self-supported rotating union
- axial housing connection
- balanced mechanical seal
- seal combination:  
Silicon Carbide/Silicon Carbide
- slinger and vents protect bearings
- full-media flow
- anodized aluminum housing
- steel rotor

### Operating Data

Maximum Coolant Pressure <sup>①</sup>	1500 PSI	105 bar
Maximum Speed <sup>①</sup>	15,000 RPM	15,000/min
Maximum Flow Rate	4 GPM	15L/min
Maximum Temperature	160°F	70°C

<sup>①</sup> Refer to graph for maximum pressure and speed combinations. If operating conditions are marginal, consult **DEUBLIN**.



Refer to Page 51 for  
Spindle Tolerance Requirements

B Port NPT	Ordering No. Model	A Rotor Thread	C	D	E	F	G Rotor Hole	H Across Flats	I Pilot Dia.	K	L Across Flats	M	Shpg. Wt.
3/8"	1101-235-238	5/8"-18 UNF LH	1 1/16"	3 15/16"	1 5/16"	9/16"	3/16"	15/16"	.6555" .6550"	1/2"	7/8"	3/16"	1#
	1101-235-239	5/8"-18 UNF RH											
	1101-235-343	M16 x 1.5 LH	43	97	30	11	4.8	24	17.994 17.976	13	22.2	5	.4 Kg