



Description

The SRD-30 is a reliable, cost-effective, and proven product that provides excellent performance for many applications. It is a very versatile slip ring due to its unique design. This slip ring can transmit both signal and power effectively. Commonly used on packaging, labeling, and filling machines, and in connection with a rotary union.

Model Family
SRD-30

Industry
Multiple

Application
Packaging, Automation, Rotary Table

Electrical Features

| | |
|---------------------------|---|
| Electrical Channels | Up to 32 |
| Voltage, max | 640 V AC/DC for power – 30 V DC for signal |
| Current, max steady state | Up to 25 A |
| Data Communication Speed | Up to 100 Mbps for signal |
| Conductor Ring | Gold Plated Copper Alloy |
| Brush Contact | Alloy monofilament or polyfilament |
| Wiring | Up to 4 mm ² power / 0,34 mm ² signal |
| Connection, stator | Cordgrip |
| Connection, rotor | Cordgrip |

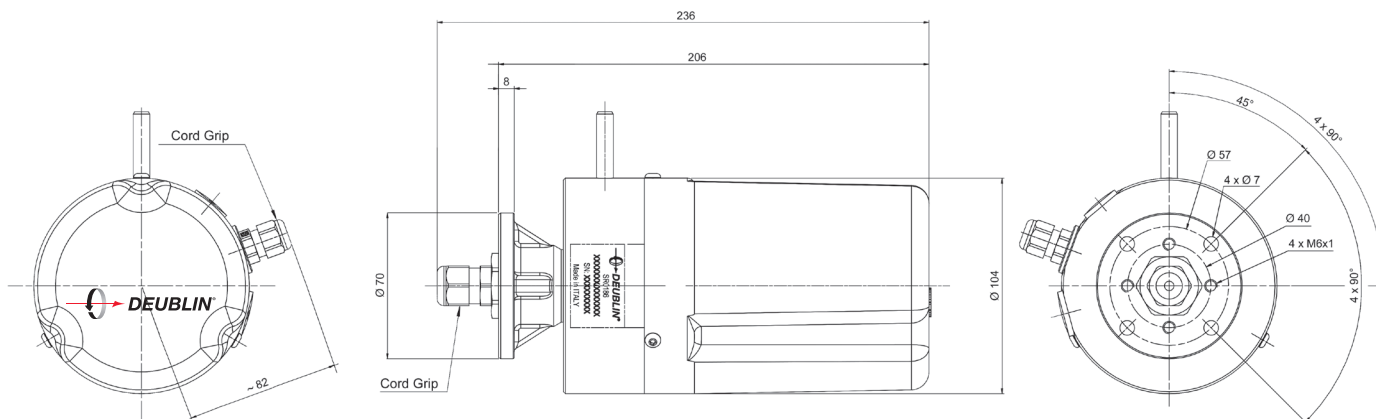
Mechanical Features

| | |
|------------------------|---------------------------------|
| Speed, max. | 250 RPM |
| Direction of Rotation | Bi-Directional |
| IP Rating | Standard IP55 – IP67 on request |
| Mounting Orientation | Vertical or Horizontal |
| Temperature, operating | -20° C to +80° C |
| Temperature, storage | -40° C to +90° C |
| Material, housing | Anodized Aluminum |
| Material, rotor | Anodized Aluminum |
| Material, cover | Carbon Graphite Filled PA |



Versions

| | |
|-------------------|--|
| SRD-30 (standard) | Cordgrip connection both on rotor and stator side, 3 m flying leads |
| Options | Connectors, Mounting Flanges, Painted covers, flying lead length, customized anti-rotation, internal heater for low temperature applications |



For more information, visit www.deublin.eu.