

Description

The Combo solution consists in one MPSS rotary union specifically designed to be used in conjunction with Deublin Slip-Rings. It is available with 1, 2, 4, 6 and 8 passages and 3 different connections port sizes: G 1/4", G 3/8" and G 1/2". The unions are designed with interface on the rotor back to mate with the Slip-Rings and have a large central bore for cable passage. Specific anti-rotation bracket is included to prevent relative movement between rotary components.

| Model | Industry | Application |
|-----------------|-----------|-------------------------------------|
| 1 to 8 passages | Packaging | Packaging, Automation, Rotary Table |

Mechanical Features

| | |
|--------------------------------|---|
| Passage no. | 1 - 2 - 4 - 6 - 8 |
| Passage dimension | Ø 6 - Ø 10 - Ø 12 mm |
| Housing thread connections | G 1/4" - G 3/8" - G 1/2" |
| Axial Rotor connections | Ø 6 - Ø 10 - Ø 12 mm with O-ring seal |
| Central bore for cable passage | Ø 30 mm |
| Housing Material | Carbon steel with blackening coating |
| Rotor Material | AISI420B |
| Deublin Soft Seal | Type DPG-G |
| Drainage | Plain holes |
| Drainage configuration | Between passages and bearing protection |

Combo Features

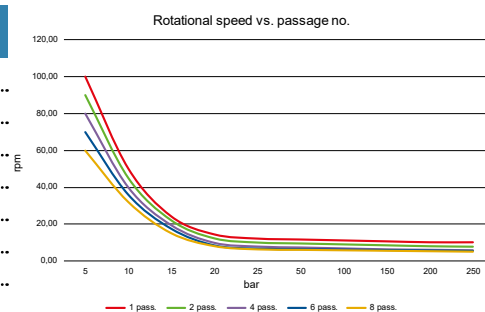
| | |
|-----------------------------|--------------------------------|
| Slip-Ring suitable models | SRD - SRC - SRH - SRT families |
| Anti-Rotation bracket | Included |
| Radial rotor flange adaptor | Optional |

Media Features

| | |
|----------------------------|-----------------|
| Applicable media | Hydraulic Oil |
| Max. operating pressure | 250 bar |
| Max. line pressure | 300 bar |
| Test pressure | 450 bar |
| Max. operating media temp. | 50 °C |
| Max. environment temp. | 70 °C |
| Max rotational speed | see speed chart |

Product Codes

| Port size | Pass. # | Code |
|-----------|---------|-------------|
| G 1/4" | 1 | CMB-S010802 |
| G 1/4" | 2 | CMB-S020802 |
| G 1/4" | 4 | CMB-S040802 |
| G 1/4" | 6 | CMB-S060802 |
| G 1/4" | 8 | CMB-S080802 |
| G 3/8" | 1 | CMB-S011002 |
| G 3/8" | 2 | CMB-S021002 |
| G 3/8" | 4 | CMB-S041002 |
| G 3/8" | 6 | CMB-S061002 |
| G 3/8" | 8 | CMB-S081002 |
| G 1/2" | 1 | CMB-S011202 |
| G 1/2" | 2 | CMB-S021202 |
| G 1/2" | 4 | CMB-S041202 |
| G 1/2" | 6 | CMB-S061202 |
| G 1/2" | 8 | CMB-S081202 |



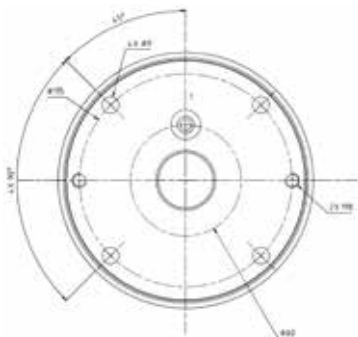
This chart is representing standard operating conditions. Deviations might be possible under custom designs.



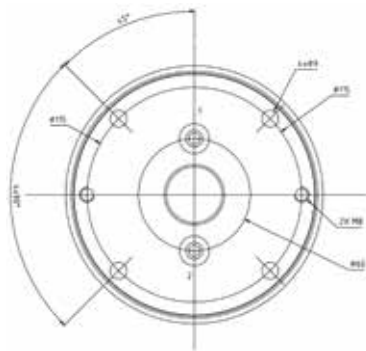
This series includes additional models. For more information contact your nearest Deublin Division/Distributor or www.deublin.com

"Deublin" and the Deublin logo are trademarks of Deublin Company and are registered in the United States and other countries.

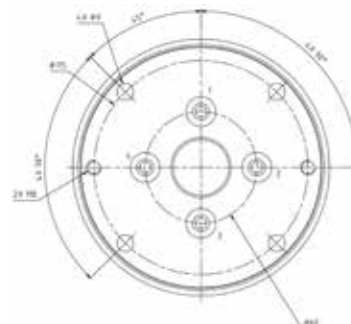
1 passage



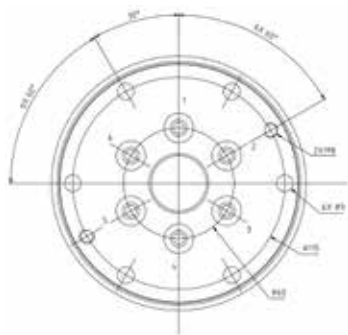
2 passages



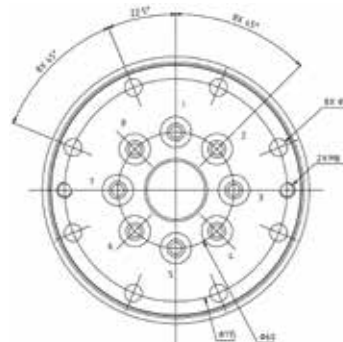
4 passages



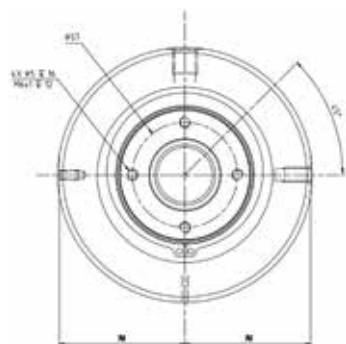
6 passages



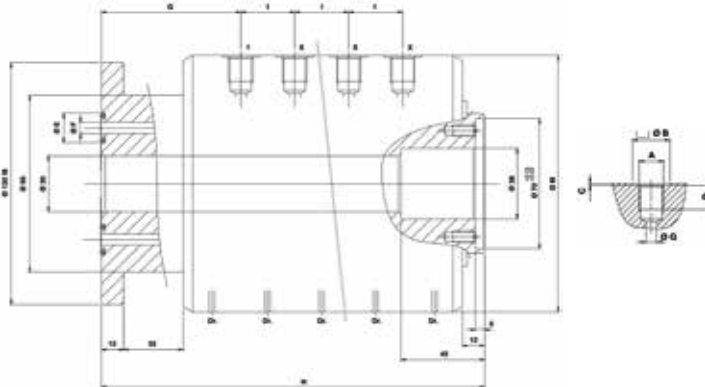
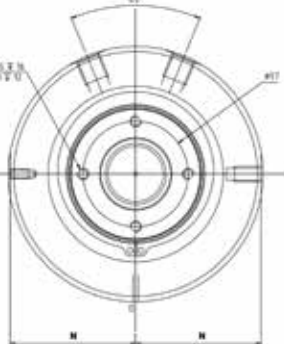
8 passages



1 - 2 & 4 passages
ports location



6 & 8 passages
ports location



| Passage no. | DN | A | B | C | D | E | F | G | H | I | L | M | N |
|-------------|----|--------|----|-----|----|----|----|----|-----|----|----|-----|------|
| 1 | 6 | G 1/4" | 20 | 1 | 13 | 16 | 6 | 75 | 117 | - | - | 138 | 68 |
| | 10 | G 3/8" | 23 | 1.5 | 13 | 19 | 10 | 77 | 121 | - | - | 140 | 68.5 |
| | 12 | G 1/2" | 28 | 1.5 | 15 | 21 | 12 | 78 | 123 | - | - | 143 | 70 |
| 2 | 6 | G 1/4" | 20 | 1 | 13 | 16 | 6 | 75 | 146 | 29 | 60 | 138 | 68 |
| | 10 | G 3/8" | 23 | 1.5 | 13 | 19 | 10 | 77 | 154 | 33 | 70 | 140 | 68.5 |
| | 12 | G 1/2" | 28 | 1.5 | 15 | 21 | 12 | 78 | 158 | 35 | 70 | 143 | 70 |
| 4 | 6 | G 1/4" | 20 | 1 | 13 | 16 | 6 | 75 | 204 | 29 | 60 | 138 | 68 |
| | 10 | G 3/8" | 23 | 1.5 | 13 | 19 | 10 | 77 | 220 | 33 | 70 | 140 | 68.5 |
| | 12 | G 1/2" | 28 | 1.5 | 15 | 21 | 12 | 78 | 228 | 35 | 70 | 143 | 70 |
| 6 | 6 | G 1/4" | 20 | 1 | 13 | 16 | 6 | 75 | 262 | 29 | 60 | 138 | 68 |
| | 10 | G 3/8" | 23 | 1.5 | 13 | 19 | 10 | 77 | 286 | 33 | 70 | 140 | 68.5 |
| | 12 | G 1/2" | 28 | 1.5 | 15 | 21 | 12 | 78 | 298 | 35 | 70 | 143 | 70 |
| 8 | 6 | G 1/4" | 20 | 1 | 13 | 16 | 6 | 75 | 320 | 29 | 60 | 138 | 68 |
| | 10 | G 3/8" | 23 | 1.5 | 13 | 19 | 10 | 77 | 352 | 33 | 70 | 140 | 68.5 |
| | 12 | G 1/2" | 28 | 1.5 | 15 | 21 | 12 | 78 | 368 | 35 | 70 | 143 | 70 |

This series includes additional models.
For more information contact your nearest Deublin Division/Distributor or www.deublin.com
"Deublin" and the Deublin logo are trademarks of Deublin Company and are registered in the United States and other countries.