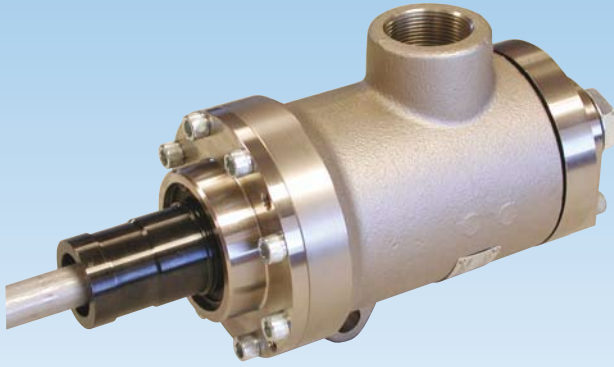


# DEUBLIN

## Rotating Union HPS Series for Steam Service in Corrugators, DN 40

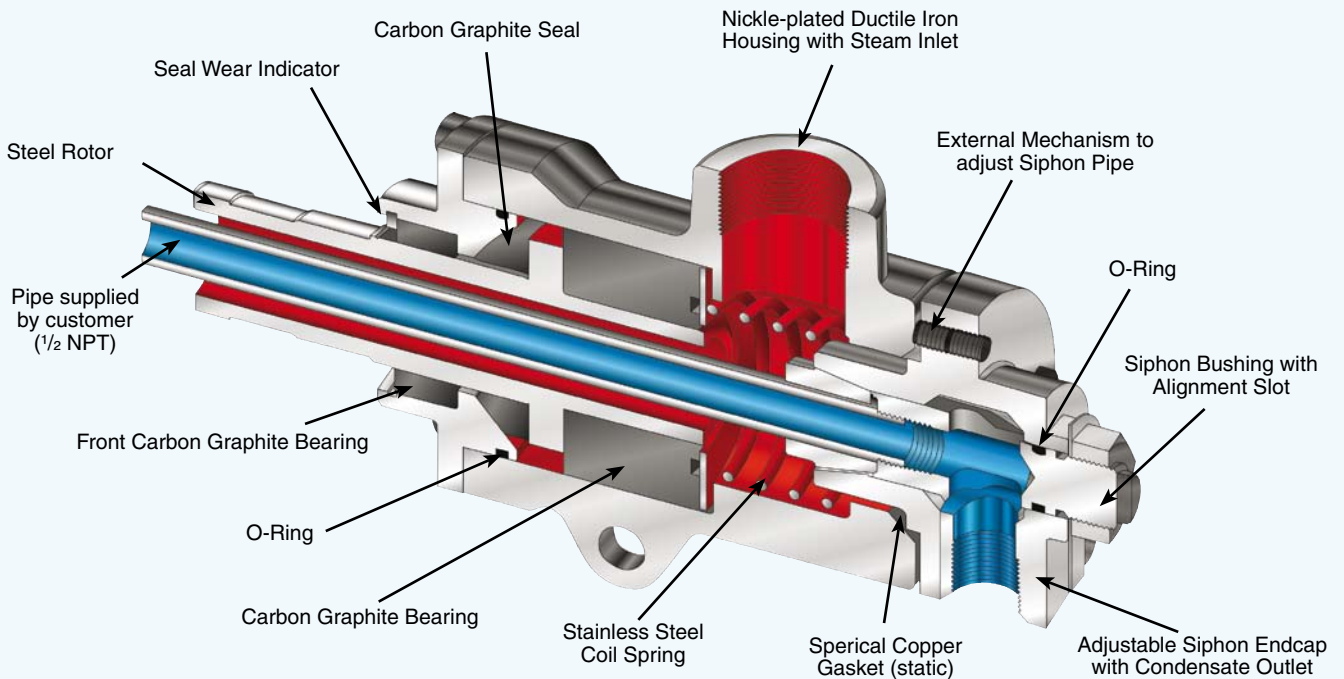


### Operating Data

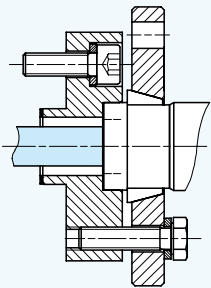
Max. Saturated Steam Pressure	250 PSI	17 bar
Max. Temperature	400 °F	204 °C
Max. Speed	400 RPM	400 min <sup>-1</sup>

- monoflow and duoflow design
- self-supported rotating union
- seals and outboard bearing made of impregnated Carbon Graphite
- convex seal ring reduces compression on Carbon ring; better suited to handle mechanical and thermal shock
- external mechanism to adjust siphon pipe through end cap
- nickel plated front and rear end cap
- nickle-plated ductile iron housing
- stainless steel spring
- heavy duty steel rotor design

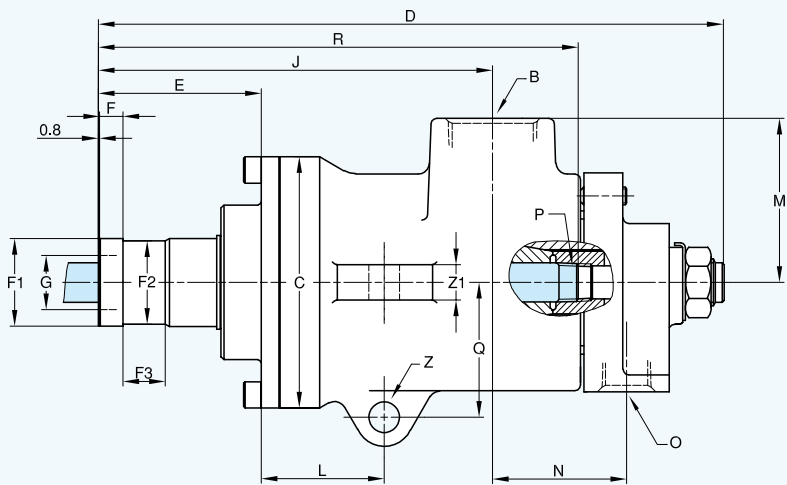
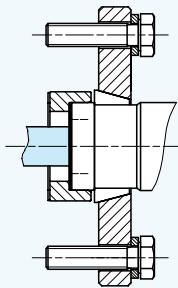
For further information please contact **DEUBLIN** or your local representative.



### Flange adapter DN 32



### DN 50



DN	B	O	Ordering No.	C ∅	D	E	F	F1 ∅	F2 ∅	F3	G ∅	J	L	M	N	P	Q	R	Z ∅	Z1
40	1 1/2 BSPT	3/4 BSPT	C15D-005-02-3A	136	340	88	12,7	47,50 47,45	45,19 45,11	23	33,4	215	69	90	73	1/2 NPT	73	258	16,7	21