



DEUBLIN

Rotating Union

for Air and Hydraulic Oil Service, DN 6 - 40

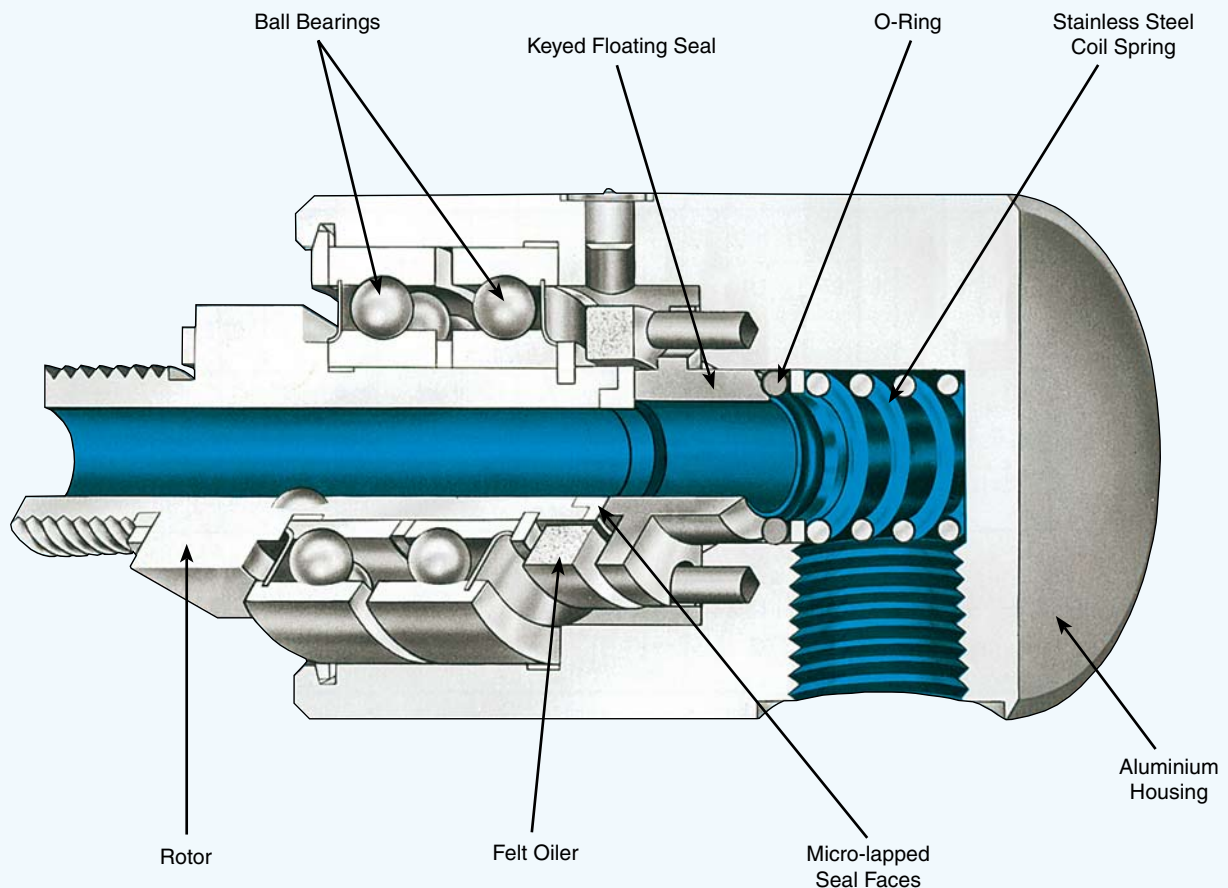
- monoflow design
- self-supported rotating union
- radial housing connection
- balanced mechanical seal
 - Carbon Graphite/hardened Tool Steel or
 - Carbon Graphite/Ceramic
- felt oiler in seal cavity for air service
- oiler for relubrication (3 - 5 drops/month)
- low torque
- weight optimised design
- aluminium housing
- stainless steel or steel rotor (respective of model)
- Lubrication Guide page 52

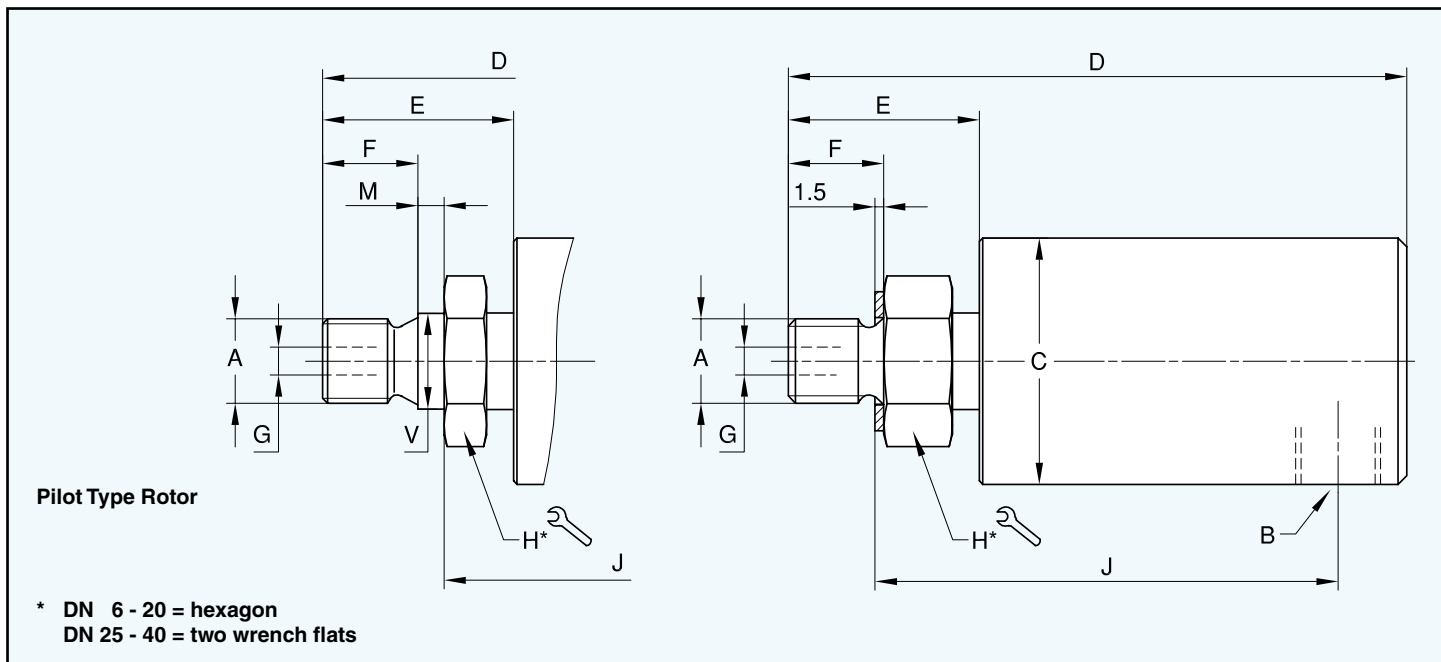
Operating Data

Max. Air Pressure	150 PSI	10 bar
Max. Vacuum	2" Hg	7 kPa
Max. Hydraulic Pressure*		
Model 1005	1,020 PSI	70 bar
1102	1,020 PSI	70 bar
1115	510 PSI	35 bar
1205	730 PSI	50 bar
2200	1,020 PSI	70 bar
250-094	1,020 PSI	70 bar
355-021	1,020 PSI	70 bar
452-000	730 PSI	50 bar
Max. Speed Straight Threads*	3,500 RPM	3,500 min ⁻¹
Model 250-094	3,500 RPM	3,500 min ⁻¹
355-021	3,000 RPM	3,000 min ⁻¹
452-000	2,500 RPM	2,500 min ⁻¹
Max. Temperature	120 °C	> 120 °C consult DEUBLIN

* Operation at max. pressure combined with max. speed is not permissible

For further information please contact **DEUBLIN** or your local representative.





Monoflow Rotating Union

DN	B NPT	Ordering No.	A Rotor Connections		C ∅	D	E	F	G ∅	H* 	J	M	V ∅	kg
6	1/8	1005-020-037	M 10 x 1	RH	28,5	71	22	11	3,2	17	54	-	-	0,2
	1/8	1005-020-045	M 10 x 1	RH	28,5	71	22	11	3,2	17	50	3	11 h6	0,2
	1/8	1005-020-049	G 1/4	RH	28,5	71	22	13	3,2	17	52	-	-	0,2
8	1/4	1102-070-103	G 1/4	RH	41	81	28	13	6,4	22	58	-	-	0,4
	1/4	1102-070-104	G 1/4	LH	41	81	28	13	6,4	22	58	-	-	0,4
10	3/8	1115-000-205	G 3/8	RH	44	99	26	16	8,7	24	71	-	-	0,7
	3/8	1115-000-200	M 16 x 2	RH	44	99	26	16	8,7	24	71	-	-	0,7
15	1/2	1205-000-151	G 1/2	RH	57	114	35	19	12,7	30	79	-	-	0,7
	1/2	1205-000-152	G 1/2	LH	57	114	35	19	12,7	30	79	-	-	0,7
	1/2	1205-000-170	M 20 x 1,5	RH	57	116	37	14	12,7	30	78	5	22 g6	0,7
	1/2	1205-000-171	M 20 x 1,5	LH	57	116	37	14	12,7	30	78	5	22 g6	0,7
	1/2	2200-000-458	M 27 x 1,5	RH	73	123	35	15	19	36	85	6	28 g6	1,4
	1/2	2200-000-459	M 27 x 1,5	LH	73	123	35	15	19	36	85	6	28 g6	1,4
	1/2	2200-000-081	M 35 x 1,5	RH	73	125	38	15	19	41	96	-	-	1,6
	1/2	2200-000-082	M 35 x 1,5	LH	73	125	38	15	19	41	96	-	-	1,6
	1/2	2200-000-102	G 3/4	RH	73	122	34	19	19	36	88	-	-	1,4
1/2	2200-000-103	G 3/4	LH	73	122	34	19	19	36	88	-	-	1,4	
20	3/4	250-094-284	G 3/4	RH	73	128	34	19	19	36	94	-	-	1,6
	3/4	250-094-285	G 3/4	LH	73	128	34	19	19	36	94	-	-	1,6
	3/4	250-094-458	M 27 x 1,5	RH	73	129	35	15	19	36	91	6	28 g6	1,6
	3/4	250-094-459	M 27 x 1,5	LH	73	129	35	15	19	36	91	6	28 g6	1,6
	3/4	250-094-014	M 35 x 1,5	RH	73	131	38	15	19	41	101	-	-	1,6
	3/4	250-094-015	M 35 x 1,5	LH	73	131	38	15	19	41	101	-	-	1,6
25	1	355-021-222	G 1	RH	83	150	42	22	25	36	108	-	-	2,1
	1	355-021-223	G 1	LH	83	150	42	22	25	36	108	-	-	2,1
	1	355-021-235	M 35 X 1,5	RH	83	144	35	15	25	36	108	-	-	2,1
	1	355-021-236	M 35 X 1,5	LH	83	144	35	15	25	36	108	-	-	2,1
	1	355-021-315	M 35 x 1,5	RH	83	167	59	29	25	36	103	12	40 g6	2,1
	1	355-021-316	M 35 x 1,5	LH	83	167	59	29	25	36	103	12	40 g6	2,1
40	1 1/2	452-000-198	G 1 1/2	RH	108	206	71	29	38	55	147	-	-	4,5
	1 1/2	452-000-199	G 1 1/2	LH	108	206	71	29	38	55	147	-	-	4,5
	1 1/2	452-000-200	M 50 x 1,5	RH	108	200	66	23	38	55	147	-	-	4,5
	1 1/2	452-000-201	M 50 x 1,5	LH	108	200	66	23	38	55	147	-	-	4,5

DEUBLIN Rotating Unions In-the-Shaft Mounted

To meet the specifications of engineering designs requiring minimum overhang, **DEUBLIN** can provide unions which can be mounted in the shaft. With these models the only extensions beyond the end of the shaft are the supply line connections.

Detailed drawings suggesting the application of these **DEUBLIN** Unions to your installation will be submitted on request and without obligation.

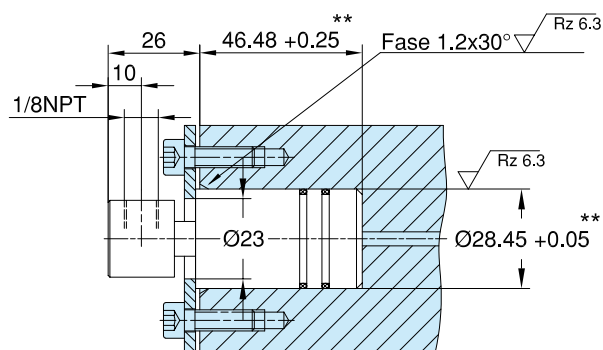
For additional models of In-the-Shaft Mounted Rotating Unions refer to page 33.

Model 1005-000-001, DN 6

Operating Data

Max. Air Pressure	150 PSI	10 bar
Max. Hydraulic Pressure	1,020 PSI	70 bar
Max. Temperature	250° F	120° C
Max. Speed	3,500 RPM	3.500 min ⁻¹

Available with all 1005 rotors shown on page 35.

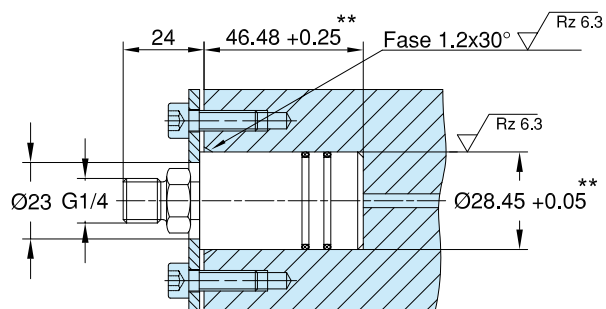


Model 1005-000-049, DN 6

Operating Data

Max. Air Pressure	150 PSI	10 bar
Max. Hydraulic Pressure	1,020 PSI	70 bar
Max. Temperature	250° F	120° C
Max. Speed	3,500 RPM	3.500 min ⁻¹

Available with all 1005 rotors shown on page 35.

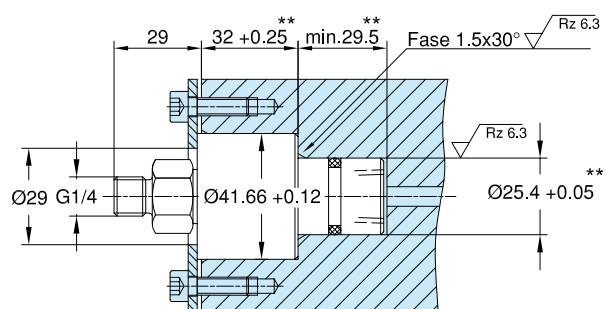


Model 1102-025-103, DN 8

Operating Data

Max. Air Pressure	150 PSI	10 bar
Max. Hydraulic Pressure	1,020 PSI	70 bar
Max. Temperature	250° F	120° C
Max. Speed	3,500 RPM	3.500 min ⁻¹

Available with all 1102 rotors shown on page 35.

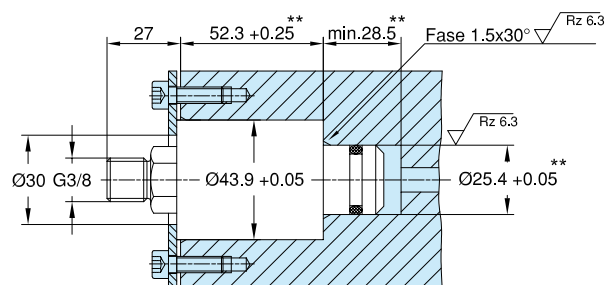


Model 1115-130-205, DN 10

Operating Data

Max. Air Pressure	150 PSI	10 bar
Max. Hydraulic Pressure	510 PSI	35 bar
Max. Temperature	250° F	120° C
Max. Speed	3,500 RPM	3.500 min ⁻¹

Available with all 1115 rotors shown on page 35.



** Dimensions of Shaft Bore