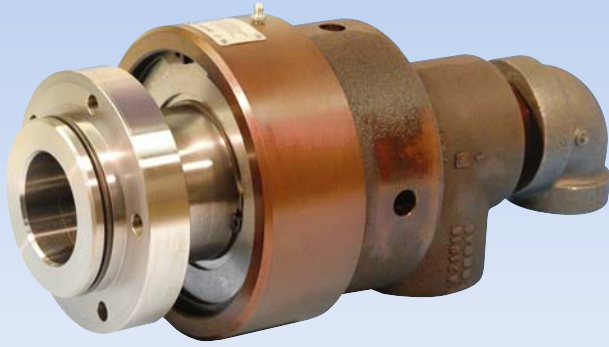


DEUBLIN

Rotating Union

with Flange Rotor, DN 40, 50 and 65



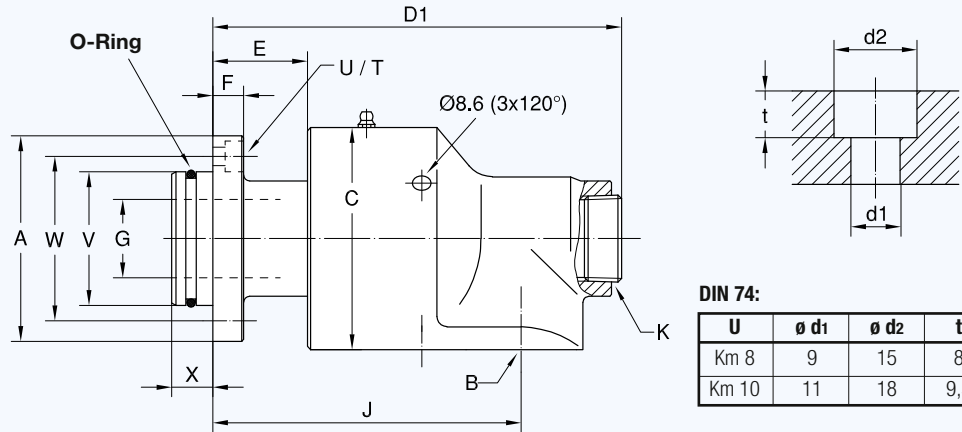
- monoflow and duoflow design
- self-supported rotating union
- radial housing connection
- balanced mechanical seal
Carbon Graphite/Bronze or
Carbon Graphite/Ceramic - standard;
Tungsten Carbide/Ceramic - E.L.S. (Extended Life Sealing)
- 3 or 4 vent holes
- forged brass housing (DN 40 and 50) and cast iron housing (DN 65)
- steel rotor
- Lubrication Guide page 52

Operating Data

Max. Water Pressure	Model 555	730 PSI	50 bar
	655,755	200 PSI	14 bar
Max. Satur. Steam Pressure (Interm.)		14 PSI	1 bar
Max. Speed	Model 555	1,500 RPM	1.500 min ⁻¹
	655-755	1,000 RPM	1.000 min ⁻¹
Max. Temperature		120 °C	> 120 °C consult DEUBLIN

For further information please contact **DEUBLIN** or your local representative.

Monoflow Rotating Unions



Flange O-Ring

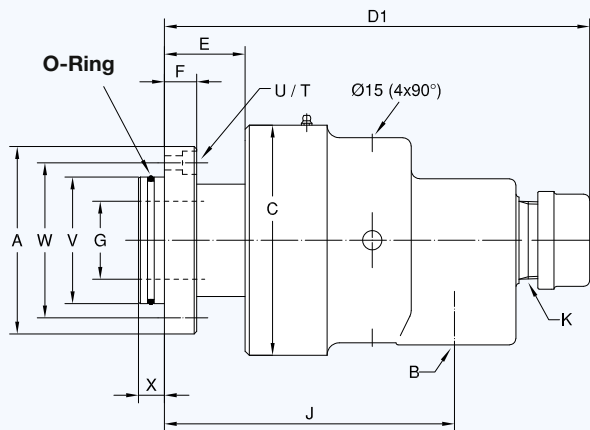
(supplied by **DEUBLIN**) for:
Model O-Ring Size
555 58 x 4 Viton
655 73 x 4 Viton

DIN 74:

U	ø d1	ø d2	t
Km 8	9	15	8
Km 10	11	18	9,5

DN	B	Ordering No.	A ø	C ø	D1	E	F	G ø	J	K NPT	T	U DIN 74	V _{f7} ø PT	W ø	X	kg
40	G 1 1/2	555-385-765	100	108	202	46	15	38	150	1 1/4	5 x 72°	Km 8	65	80	20	7,3
50	G 2	655-527-421	125	118	229	46	15,5	47,6	172	1 1/4	5 x 72°	Km 10	80	100	20	8,8

Monoflow Rotating Unions



Flange O-Ring

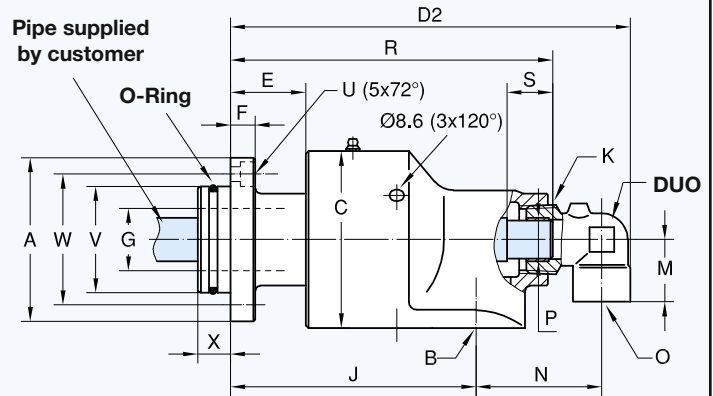
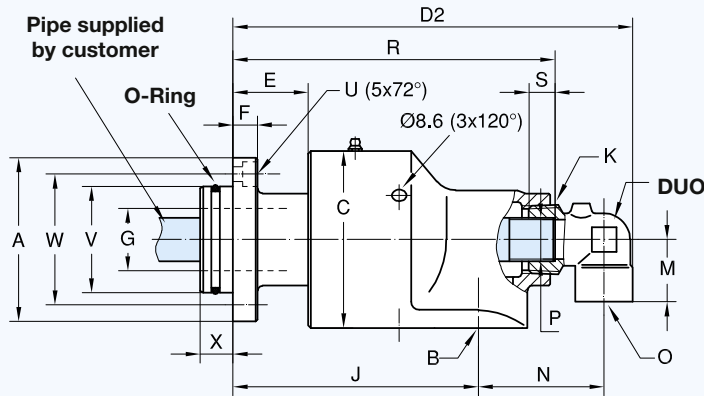
(supplied by **DEUBLIN**) for:
Modell O-Ring Size
755 90 x 4 Viton

DN	B NPT	Ordering Nr.		A ø	C ø	D1	E	F	G ø	J	K NPT	T	U DIN 74	V _{f7} ø PT	W ø	X	kg
		STD	E.L.S.														
65	2 1/2	755-713-495	755-726-495	145	178	317	63	26	60,3	225	2	5 x 72°	Km 10	98	120	20	22

Duoflow Rotating Union for Threaded Supply Pipe

Duoflow Rotating Union for Rotating Supply Pipe

Flange O-Ring
(supplied by DEUBLIN) for:
Model O-Ring Size
555 58 x 4 Viton
655 73 x 4 Viton

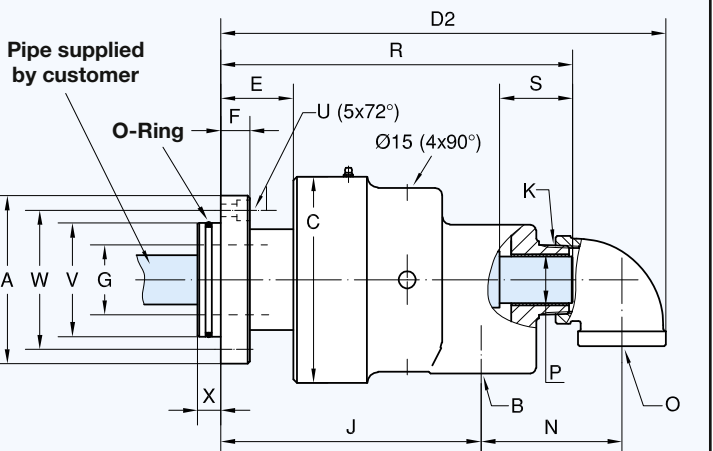
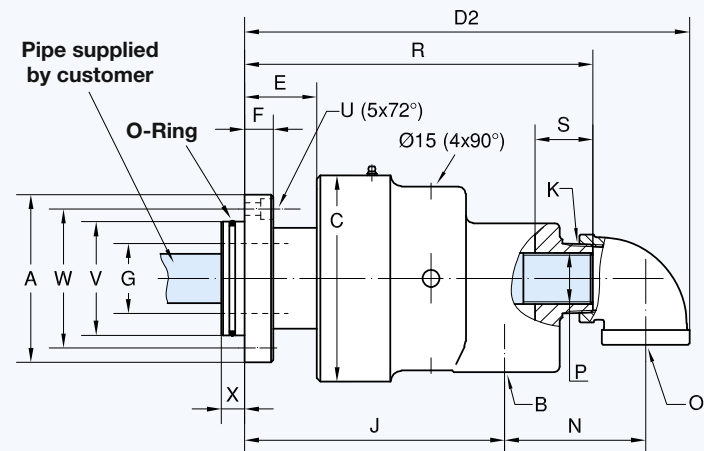


DN	B	O	Ordering No.	DUO	A ∅	C ∅	D ₂	E	F	G ∅	J	K NPT	M	N	P Pipe	R	S	U** DIN 74	V _{F7} ∅PT	W ∅	X	kg
40	G 1 1/2	G 3/4	555-385-765	451-171	100	108	244	46	15	38	150	1 1/4	38	76	G 3/4	196	16	Km 8	65	80	20	7,6
	G 1 1/2	G 3/4	555-385-765	451-173	100	108	244	46	15	38	150	1 1/4	38	76	∅ 25,8 h 13	212	44	Km 8	65	80	20	7,6
50	G 2	G 3/4	655-527-421	451-171	125	118	271	46	15,5	47,6	172	1 1/4	38	82	G 3/4	223	16	Km 10	80	100	20	9
	G 2	G 3/4	655-527-421	451-173	125	118	271	46	15,5	47,6	172	1 1/4	38	82	∅ 25,8 h 13	238	44	Km 10	80	100	20	9
	G 2	G 1 1/4	655-527-421	450-534	125	118	293	46	15,5	47,6	172	1 1/4	45	96	G 1	233	26	Km 10	80	100	20	9,1
	G 2	G 1 1/4	655-527-421	450-612	125	118	293	46	15,5	47,6	172	1 1/4	45	96	∅ 32,1 h 13	234	50	Km 10	80	100	20	9,1

Duoflow Rotating Union for Threaded Supply Pipe

Duoflow Rotating Union for Rotating Supply Pipe

Flange O-Ring
(supplied by DEUBLIN) for:
Model O-Ring Size
755 90 x 4 Viton



DN	B NPT	O NPT	Ordering No.		A ∅	C ∅	D ₂	E	F	G ∅	J	K NPT	N	P Pipe	R	S	U** DIN 74	V _{F7} ∅PT	W ∅	X	kg
			STD	E.L.S.																	
65	2 1/2	1 1/4	755-727-495-117	755-728-495-117	145	178	372	63	26	60,3	225	2	109	1 NPT	288	13	Km 10	98	120	20	23
	2 1/2	1 1/2	755-713-495-139	755-726-495-139	145	178	372	63	26	60,3	225	2	112	G 1 1/2	301	45	Km 10	98	120	20	23
	2 1/2	1 1/2	755-729-495-139	755-730-495-139	145	178	372	63	26	60,3	225	2	112	∅ 39,9 h 13	308	70	Km 10	98	120	20	23

** See page 12, DIN 74 table