

DEUBLIN

1121 Series Bearingless "Pop-Off" "Micro Stroke" Rotating Unions for Coolant Service

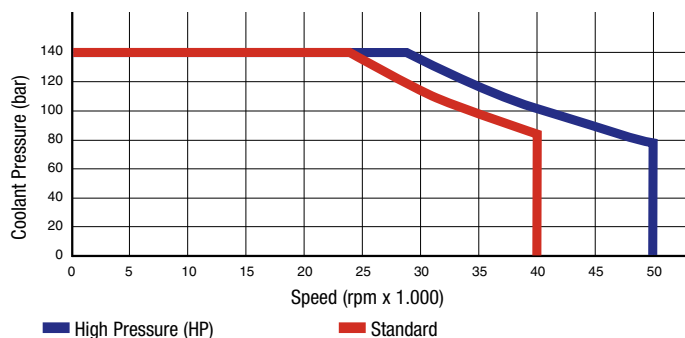
- Single passage for coolant or MQL
- Patented "pop-off" technology allows unlimited dry running without media pressure
- Ultra-short 0.1 mm pop-off stroke restricts drainage of residual coolant during tool change
- Full-flow design has no obstructions to trap swarf or debris
- Balanced mechanical seals made from silicon carbide for long life even under difficult operating conditions
- Anodised aluminum housing resists corrosion

Operating Data

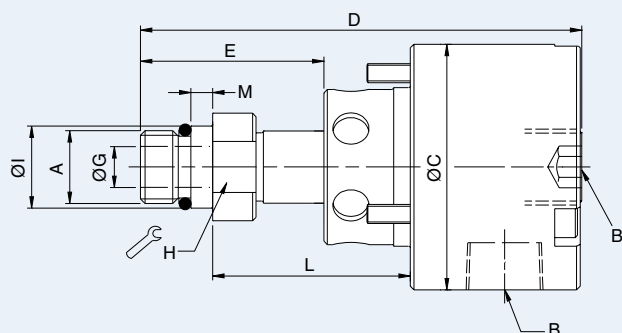
Media	Water-based Coolant MQL (oil mist) up to 10 bar (145 psi)		
Filtration	ISO 4406 Class 17/15/12, max. 60 micron		
Max. Speed	40.000 min ⁻¹	40,000 rpm	Standard
	50.000 min ⁻¹	50,000 rpm	High Pressure (HP)
Max. Pressure	140 bar	2,030 psi	
Max. Flow	25,7 l/min	6.8 gpm	
	1121-330-327	41,3 l/min	10.9 gpm
	1121-330-345	87 l/min	23 gpm
Max. Temperature	70°C	160°F	



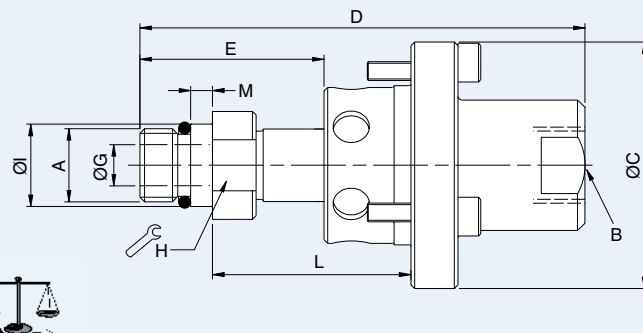
NO AIR PRESSURE WITH ROTATION



Dual Connection



Axial Connection



	Ordering Number	B Supply Connection	C Overall Diameter	D Overall Length	L Mounting Distance	A Rotor Connection	E Rotor Length	G Bore Diameter	H Across Flats	I Pilot Diameter	M Pilot Length	Max. Speed (rpm)	
Standard	Dual Connection	1121-300-327*	3/8 PT	54	94	39.6 / 38.6	M12 x 1.25 LH	37	6	18	14.000 / 13.992	5	40,000
		1121-300-345*	3/8 PT	54	97	44.0 / 43.0	M16 x 1.5 LH	40	9	21	17.994 / 17.989	5	40,000
		1121-330-327*	3/8 PT	54	94	39.6 / 38.6	M12 x 1.25 LH	37	6	18	14.000 / 13.992	5	40,000
		1121-330-345*	3/8 PT	54	97	44.0 / 43.0	M16 x 1.5 LH	40	9	21	17.994 / 17.989	5	40,000
		1121-380-327	G 3/8 Radial 1/4 PT Axial	54	98	39.6 / 38.6	M12 x 1.25 LH	37	6	18	14.000 / 13.992	5	40,000
		1121-380-345	G 3/8 Radial 1/4 PT Axial	54	102	44.0 / 43.0	M16 x 1.5 LH	40	9	21	17.994 / 17.989	5	40,000
HP	Axial Connection	1121-400-327	3/8 PT	54	94	39.6 / 38.6	M12 x 1.25 LH	37	6	18	14.000 / 13.992	5	40,000
		1121-400-345	3/8 PT	54	98	44.0 / 43.0	M16 x 1.5 LH	40	9	21	17.994 / 17.989	5	40,000
		1121-410-493	3/8 PT	54	105	39.6 / 38.6	M12 x 1.25 LH	40	5	18	14.000 / 13.992	5	50,000
		1121-430-431	3/8 PT	54	108	44.0 / 43.0	M16 x 1.5 LH	43	5	21	17.993 / 17.986	5	50,000

* With different flow rates for different applications. For further information please contact DEUBLIN.