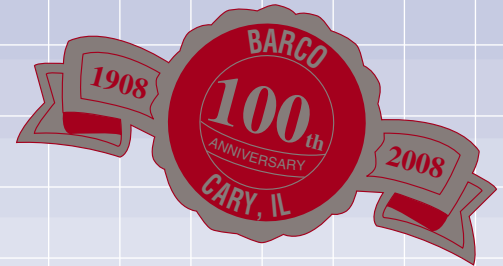


**BARCO SERIES E-75 RS**

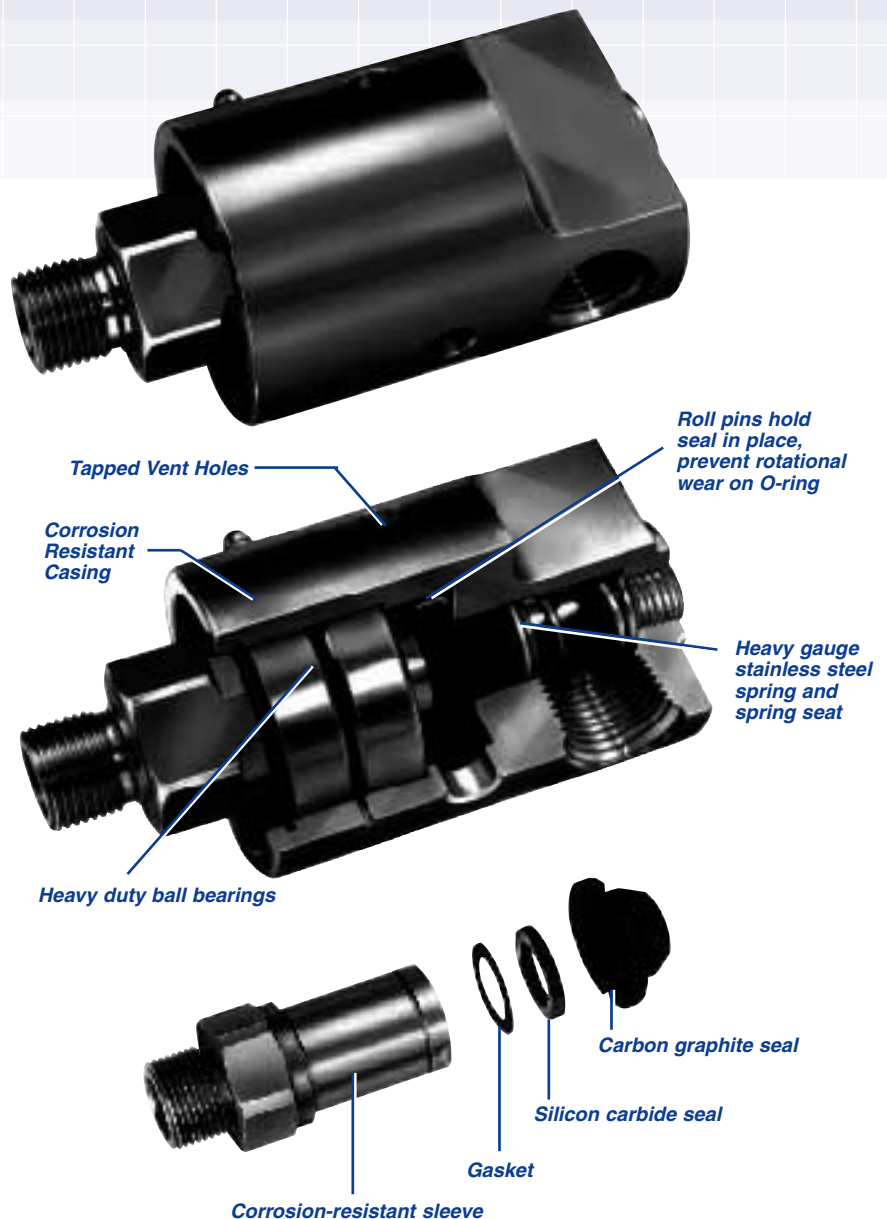
# Water Rotary Unions



## Special Design Features

- **Dry run capability.**
- **Silicon carbide to carbon graphite mechanical seals.**
- **For abrasive applications, the E-75 RSX with silicon carbide to siliconized graphite mechanical seals is available.**
- **Available in Mono-Flow and Duo-Flow configurations.**
- **Seals are user replaceable.**
- **Sizes from 3/8" to 2".**
- **Available in U.S. and metric thread specifications.**

The Barco E-75 RS Rotary Union incorporates state-of-the-art sealing technology for use on water applications. This product is primarily used in the printing, paper, rubber, plastics and steel processing industries.



### Operating Data

**Max. Pressure**  
 150 PSI      10.3 BAR

**Temperature**  
 +300°F      (+149°C)

For higher temperature fluids, contact Barco Engineering.

**Max. Speed**

3/8" - 3,500 RPM	1 1/4" - 2,500 RPM
1/2" - 3,500 RPM	1 1/2" - 2,500 RPM
3/4" - 3,500 RPM	2" - 750 RPM
1" - 3,000 RPM	

## Mono-Flow Unions

E-75 RS Silicon carbide to carbon graphite mechanical seals.

Union Size	E-75 RS Part Number	Thread "A"	B	ØC	D	E	ØF	L	"P" NPT	"R" NPT
3/8"	BC-32000-06-01	5/8" - 18 UNF R.H.	.50"	.38"	3.32"	.91"	1.81"	3.99"	3/8"	1/4"
	BC-32001-06-01	5/8" - 18 UNF L.H.	(12.7)	(9.6)	(84)	(23)	(46)	(101)		
	BC-32002-06-01	3/8" - 18 NPT R.H.	.56"	.38"	3.32"	.91"	1.81"	3.99"		
	BC-32003-06-01	3/8" - 18 NPT L.H.	(14.2)	(9.6)	(84)	(23)	(46)	(101)		
	BC-32100-06-01	G 3/8" BSPP R.H.	.56"	.38"	3.32"	.91"	1.81"	3.99"		
	BC-32101-06-01	G 3/8" BSPP L.H.	(14.2)	(9.6)	(84)	(23)	(46)	(101)		
1/2"	BC-32000-08-01	3/4" - 16 UNF R.H.	.69"	.50"	3.90"	1.13"	2.25"	4.69"	1/2"	3/8"
	BC-32001-08-01	3/4" - 16 UNF L.H.	(17.5)	(12.7)	(99)	(29)	(57)	(119)		
	BC-32002-08-01	1/2" NPT R.H.	1.00"	.50"	4.19"	1.13"	2.25"	4.98"		
	BC-32003-08-01	1/2" NPT L.H.	(25.4)	(12.7)	(106)	(29)	(57)	(126)		
	BC-32100-08-01	G 1/2" BSPP R.H.	.75"	.50"	3.96"	1.13"	2.25"	4.75"		
	BC-32101-08-01	G 1/2" BSPP L.H.	(19.1)	(12.7)	(101)	(29)	(57)	(121)		
	BC-32162-08-01	M22 X 1.5 R.H.	.62"	.50"	3.83"	1.13"	2.25"	4.62"		
BC-32163-08-01	M22 X 1.5 L.H.	(15.7)	(12.7)	(97)	(29)	(57)	(117)			
3/4"	BC-32000-12-01	1" - 14 UNS R.H.	.69"	.66"	4.44"	1.27"	2.60"	5.44"	3/4"	1/2"
	BC-32001-12-01	1" - 14 UNS L.H.	(17.5)	(16.7)	(113)	(32)	(66)	(138)		
	BC-32002-12-01	3/4" NPT R.H.	1.00"	.66"	4.75"	1.27"	2.60"	5.75"		
	BC-32003-12-01	3/4" NPT L.H.	(25.4)	(16.7)	(121)	(32)	(66)	(146)		
	BC-32100-12-01	G 3/4" BSPP R.H.	.75"	.66"	4.50"	1.27"	2.60"	5.50"		
	BC-32101-12-01	G 3/4" BSPP L.H.	(19.1)	(16.7)	(114)	(32)	(66)	(140)		
	BC-32162-12-01	M35 X 1.5 R.H.	.62"	.66"	5.01"	1.27"	2.60"	6.01"		
BC-32163-12-01	M35 X 1.5 L.H.	(15.7)	(16.7)	(127)	(32)	(66)	(152)			
1"	BC-32025-16-01	1" NPT R.H.	1.12"	1.00"	5.46"	1.62"	3.25"	6.89"	1"	3/4"
	BC-32026-16-01	1" NPT L.H.	(28.4)	(25.4)	(139)	(41)	(82)	(175)		
	BC-32034-16-01	1 1/2" - 12 UNF R.H.	1.12"	1.00"	5.46"	1.62"	3.25"	6.89"		
	BC-32035-16-01	1 1/2" - 12 UNF L.H.	(28.4)	(25.4)	(139)	(41)	(82)	(175)		
	BC-32100-16-01	G 1" BSPP R.H.	.87"	1.00"	5.46"	1.62"	3.25"	6.89"		
	BC-32101-16-01	G 1" BSPP L.H.	(22.1)	(25.4)	(139)	(41)	(82)	(175)		
	BC-32162-16-01	M35 X 1.5 R.H.	1.12"	1.00"	5.46"	1.62"	3.25"	6.89"		
BC-32163-16-01	M35 X 1.5 L.H.	(28.4)	(25.4)	(139)	(41)	(82)	(175)			
1 1/4"	BC-32000-20-01	1 3/4" - 12 UN R.H.	1.13"	1.25"	6.00"	1.78"	3.56"	7.69"	1 1/4"	1"
	BC-32001-20-01	1 3/4" - 12 UN L.H.	(28.7)	(31.7)	(152)	(45)	(90)	(195)		
	BC-32002-20-01	1 1/4" NPT R.H.	1.13"	1.25"	6.00"	1.78"	3.56"	7.69"		
	BC-32003-20-01	1 1/4" NPT L.H.	(28.7)	(31.7)	(152)	(45)	(90)	(195)		
	BC-32100-20-01	G 1 1/4" BSPP R.H.	1.13"	1.25"	6.00"	1.78"	3.56"	7.69"		
	BC-32101-20-01	G 1 1/4" BSPP L.H.	(28.7)	(31.7)	(152)	(45)	(90)	(195)		
1 1/2"	BC-32000-24-01	2" - 12 UN R.H.	1.06"	1.50"	6.48"	1.84"	3.68"	8.01"	1 1/2"	1 1/4"
	BC-32001-24-01	2" - 12 UN L.H.	(26.9)	(38.1)	(164)	(47)	(93)	(203)		
	BC-32002-24-01	1 1/2" NPT R.H.	1.13"	1.50"	6.54"	1.84"	3.68"	8.07"		
	BC-32003-24-01	1 1/2" NPT L.H.	(28.7)	(38.1)	(166)	(47)	(93)	(205)		
	BC-32100-24-01	G 1 1/2" BSPP R.H.	1.14"	1.38"	6.48"	1.84"	3.68"	8.01"		
	BC-32101-24-01	G 1 1/2" BSPP L.H.	(28.9)	(35.1)	(164)	(47)	(93)	(203)		
	BC-32172-24-01	M50 X 1.5 R.H.	.87"	1.50"	6.54"	1.84"	3.68"	8.07"		
BC-32173-24-01	M50 X 1.5 L.H.	(22.1)	(38.1)	(166)	(47)	(93)	(205)			
2"	BC-32002-32-01	2" NPT R.H.	1.19"	1.75"	7.73"	2.31"	4.62"	9.97"	2"	1 1/4"
	BC-32003-32-01	2" NPT L.H.	(30.2)	(44.4)	(196)	(59)	(117)	(253)		

Special threads available. Contact Barco.

## Duo-Flow NPT Stationary Syphon Unions

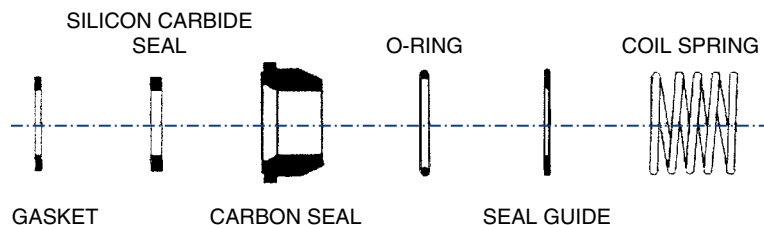
Elbows designed for maximum flow rate.

Several duo-flow elbow options are available. Refer to Bulletin INS 3100, or contact Barco for more information.

Union Size	E-75 RS Part Number	Thread "A"	B	ØC	D	E	ØF	L	"P" NPT	"S" NPT	"T" NPT	"Y" Pipe Length Into Union
1/2"	BC-32004-08-01	3/4" - 16 UNF R.H.	.69"	.50"	3.90"	1.13"	2.25"	4.69"	1/2"	3/8"	1/8"	4.55"
	BC-32005-08-01	3/4" - 16 UNF L.H.	(17.5)	(12.7)	(99)	(29)	(57)	(119)				(116)
	BC-32006-08-01	1/2" NPT R.H.	1.00"	.50"	4.19"	1.13"	2.25"	4.98"				4.84"
	BC-32007-08-01	1/2" NPT L.H.	(25.4)	(12.7)	(106)	(29)	(57)	(126)				(123)
	BC-32098-08-01	G 1/2" BSPP R.H.	.75"	.50"	3.96"	1.13"	2.25"	4.75"				4.61"
	BC-32099-08-01	G 1/2" BSPP L.H.	(19.1)	(12.7)	(101)	(29)	(57)	(121)				(117)
3/4"	BC-32004-12-01	1" - 14 UNS R.H.	.69"	.66"	4.44"	1.27"	2.60"	5.44"	3/4"	1/2"	1/4"	5.30"
	BC-32005-12-01	1" - 14 UNS L.H.	(17.5)	(16.7)	(113)	(32)	(66)	(138)				(135)
	BC-32006-12-01	3/4" NPT R.H.	1.00"	.66"	4.75"	1.27"	2.60"	5.75"				5.61"
	BC-32007-12-01	3/4" NPT L.H.	(25.4)	(16.7)	(121)	(32)	(66)	(146)				(142)
	BC-32098-12-01	G 3/4" BSPP R.H.	.75"	.66"	4.50"	1.27"	2.60"	5.50"				5.36"
	BC-32099-12-01	G 3/4" BSPP L.H.	(19.1)	(16.7)	(114)	(32)	(66)	(140)				(136)
1"	BC-32032-16-01	1 1/2" - 12 UNF R.H.	1.12"	1.00"	5.46"	1.62"	3.25"	6.89"	1"	1/2"	3/8"	6.72"
	BC-32033-16-01	1 1/2" - 12 UNF L.H.	(28.4)	(25.4)	(139)	(41)	(82)	(175)				(171)
	BC-32027-16-01	1" NPT R.H.	1.12"	1.00"	5.46"	1.62"	3.25"	6.89"				6.72"
	BC-32028-16-01	1" NPT L.H.	(28.4)	(25.4)	(139)	(41)	(82)	(175)				(171)
	BC-32098-16-01	1" BSPP R.H.	.87"	1.00"	5.46"	1.62"	3.25"	6.89"				6.72"
	BC-32099-16-01	1" BSPP L.H.	(22.1)	(25.4)	(139)	(41)	(82)	(175)				(171)
1 1/4"	BC-32411-20-01	1 3/4" - 12 UN R.H.	1.13"	1.25"	6.00"	1.78"	3.56"	7.69"	1 1/4"	3/4"	1/2"	7.54"
	BC-32412-20-01	1 3/4" - 12 UN L.H.	(28.7)	(31.7)	(152)	(45)	(90)	(195)				(192)
	BC-32008-20-01	1 1/4" NPT R.H.	1.13"	1.25"	6.00"	1.78"	3.56"	7.69"				7.54"
	BC-32009-20-01	1 1/4" NPT L.H.	(28.7)	(31.7)	(152)	(45)	(90)	(195)				(192)
	BC-32496-20-01	G 1 1/4" BSPP R.H.	1.13"	1.25"	6.00"	1.78"	3.56"	7.69"				7.54"
	BC-32497-20-01	G 1 1/4" BSPP L.H.	(28.7)	(31.7)	(152)	(45)	(90)	(195)				(192)
1 1/2"	BC-32004-24-01	2" - 12 UN R.H.	1.06"	1.50"	6.48"	1.84"	3.68"	8.01"	1 1/2"	1"	3/4"	7.90"
	BC-32005-24-01	2" - 12 UN L.H.	(26.9)	(38.1)	(164)	(47)	(93)	(203)				(201)
	BC-32006-24-01	1 1/2" NPT R.H.	1.13"	1.50"	6.54"	1.84"	3.68"	8.07"				7.96"
	BC-32007-24-01	1 1/2" NPT L.H.	(28.7)	(38.1)	(166)	(47)	(93)	(205)				(202)
	BC-32098-24-01	G 1 1/2" BSPP R.H.	1.14"	1.38"	6.48"	1.84"	3.68"	8.01"				7.90"
	BC-32099-24-01	G 1 1/2" BSPP L.H.	(28.9)	(35.1)	(164)	(47)	(93)	(203)				(201)
2"	BC-32006-32-01	2" NPT R.H.	1.19"	1.75"	7.66"	2.31"	4.62"	9.95"	2"	1"	1"	9.98"
	BC-32007-32-01	2" NPT L.H.	(30.2)	(44.4)	(195)	(59)	(117)	(253)				(253)
	BC-32098-32-01	G 2" BSPP R.H.	1.14"	1.75"	7.66"	2.31"	4.62"	9.95"				9.98"
	BC-32099-32-01	G 2" BSPP L.H.	(28.9)	(44.4)	(195)	(59)	(117)	(253)				(253)

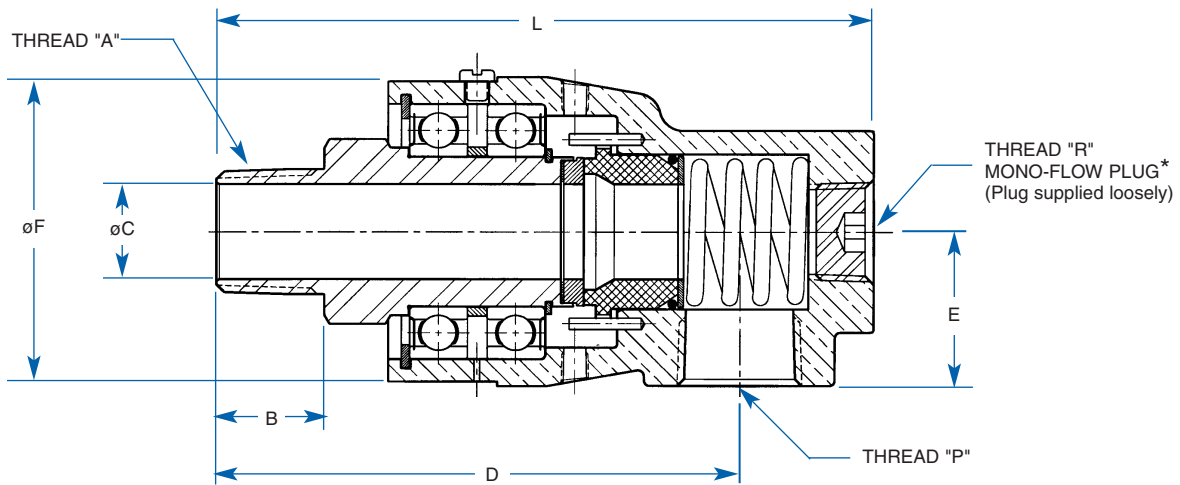
## Repair Kits for both Mono-Flow and Duo-Flow

Union size	Part number
3/8"	10-67175-XX
1/2"	10-67176-XX
3/4"	10-67177-XX
1"	10-67178-XX
1 1/4"	10-67625-XX
1 1/2"	10-67293-XX
2"	10-67294-XX



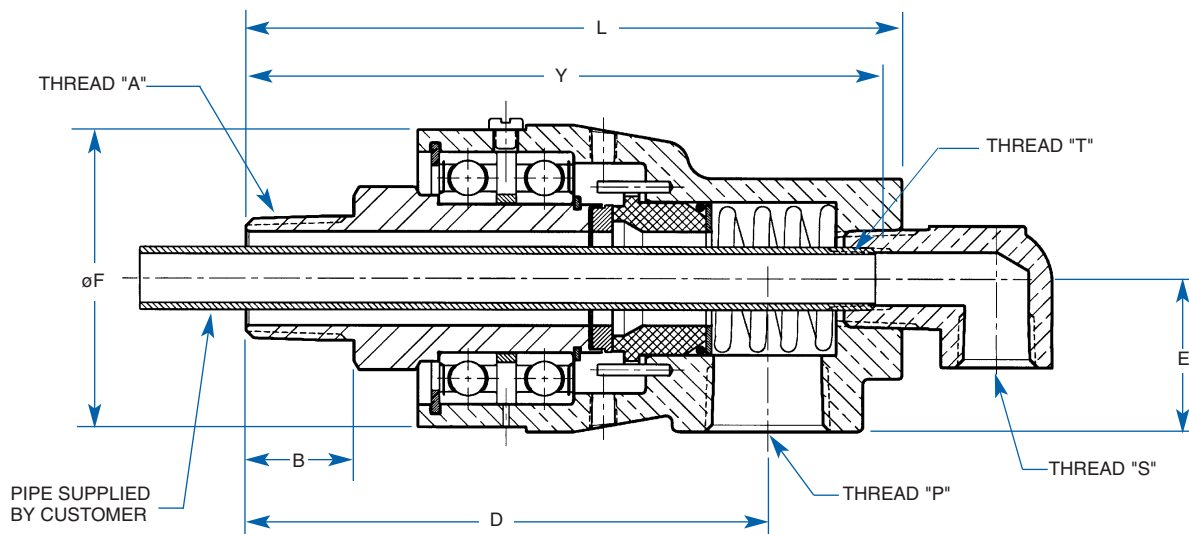
-XX Elastomer Suffix, Specify: -01 = HNBR (Standard), -04 = EPR (Special), -06 = Viton (Special).

## Mono-Flow Water Rotary Union



\*Seal & tighten plug, or install duo-flow elbow as required before use.

## Duo-Flow Water Rotary Union



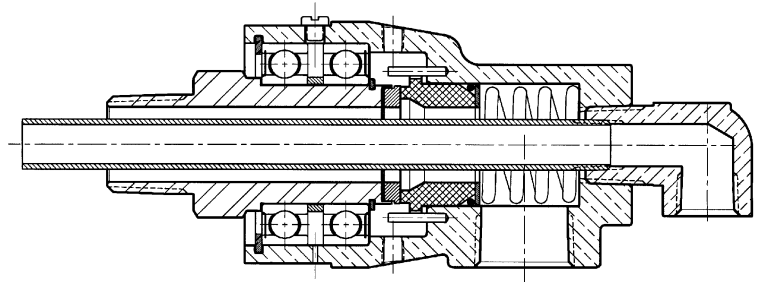
# Duo-Flow Syphon Elbows

## ROTARY SYPHON ELBOWS

**Style A** Threaded Stationary Syphon Elbow

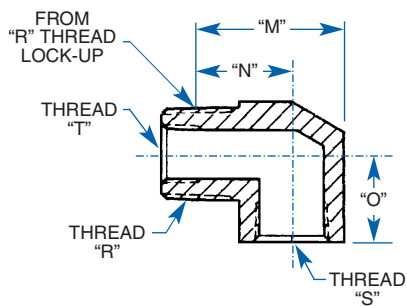
**Style B** Brazed Stationary Syphon Elbow

**Style C** Rotating Pipe or Tube Syphon Elbow



### Style A

For Threaded Stationary Supply Pipe

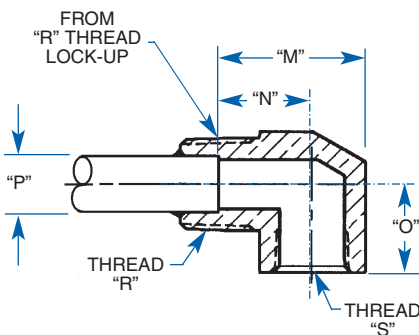


Threaded Stationary Syphon Elbow

Union Size	Part Number	"M"	"N"	"O"	"R" NPT	"S" NPT	Thread "T" NPT
1/2"	01-67064-23*	1.09" (28)	.65" (17)	.50" (13)	3/8"	3/8"	1/8"
3/4"	01-31260-00	1.45" (37)	.86" (22)	1.05" (27)	1/2"	1/2"	1/8"
	01-31261-00*						1/4"
1"	01-67263-23	1.66" (42)	1.07" (27)	.94" (24)	3/4"	1/2"	1/4"
	01-63771-23*						3/8"
1 1/4"	01-62257-23*	1.90" (48)	1.21" (31)	1.25" (32)	1"	3/4"	1/2"
1 1/2"	01-69555-23	2.59" (66)	1.72" (44)	1.62" (41)	1 1/4"	1"	1/2"
	01-65690-23*	2.57" (65)	1.70" (43)				3/4"
2"	01-65690-23	2.57" (65)	1.70" (43)	1.62" (41)	1 1/4"	1"	3/4"
	01-65763-23*	2.46" (62)	1.59" (40)				1"

### Style B

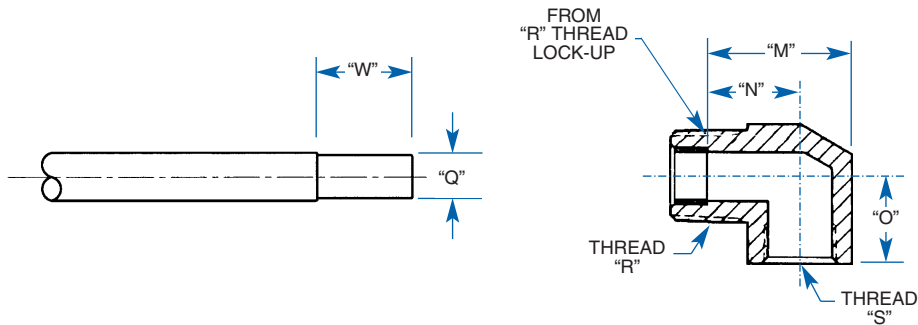
For Brazed Stationary Supply



Brazed Stationary Syphon Elbow

Union Size	Part Number	"M"	"N"	"O"	Tube Dia. "P"	"R" NPT	"S" NPT
3/8"	01-62414-23*	.93" (24)	.52" (13)	.45" (11)	Ø.25" (6.4)	1/4"	1/4"
1/2"	01-65760-23*	1.09" (28)	.65" (17)	.50" (13)	Ø.38" (9.7)	3/8"	3/8"
3/4"	01-64167-23	1.45" (37)	.86" (22)	1.05" (27)	Ø.44" (11.2)	1/2"	1/2"
	01-65562-23				Ø.38" (9.7)		
	01-66067-23*				Ø.50" (12.7)		
1"	01-64357-23*	1.66" (42)	1.07" (27)	.94" (24)	Ø.63" (16)	3/4"	1/2"
1 1/4"	01-67266-23*	1.90" (48)	1.21" (31)	1.25" (32)	Ø.75" (19)	1"	3/4"
1 1/2"	01-69557-23	2.69" (68)	1.81" (46)	1.62" (41)	Ø.75" (19)	1 1/4"	1"
	01-67272-23*				Ø1.00" (25.4)		
2"	01-67272-23	2.69" (68)	1.81" (46)	1.62" (41)	Ø1.00" (25.4)	1 1/4"	1"
	01-67273-23*	2.64" (67)	1.77" (45)		Ø1.25" (31.8)		

Rotating Duo-Flow Elbows



**Syphon Pipe**

Syphon Pipe End Detail

Rotating Syphon Elbow

**Style C**

Rotary Supply Pipe/Tube with Teflon® Bushing

Union Size	Part Number	"M"	"N"	"O"	Pipe Size	Turned Pipe Dia. "Q"	"R" NPT	"S" NPT	"W"
1/2"	10-67150-23*	1.09" (28)	.65" (17)	.50" (13)	1/8"	.372" (9.45) .371" (9.42)	3/8"	3/8"	1.13" (28)
3/4"	10-67259-23*	1.45" (37)	.86" (22)	1.05" (27)	1/4"	.497" (12.62) .496" (12.60)	1/2"	1/2"	1.13" (28)
1"	10-67264-23*	1.66" (42)	1.07" (27)	.94" (24)	3/8"	.622" (15.80) .621" (15.77)	3/4"	1/2"	1.25" (32)
1 1/4"	10-66857-23*	1.90" (48)	1.21" (31)	1.25" (32)	1/2"	.810" (20.57) .808" (20.52)	1"	3/4"	1.50" (38)
1 1/2"	10-69556-23	2.31" (59)	1.44" (37)	1.62" (41)	1/2"	.810" (20.57) .808" (20.52)	1 1/4"	1"	1.50" (38)
	10-66827-00*	2.12" (54)	1.25" (32)		3/4"	.997" (25.32) .995" (25.27)			
2"	10-66827-00	2.12" (54)	1.25" (32)	1.62" (41)	3/4"	.997" (25.32) .995" (25.27)	1 1/4"	1"	2.00" (51)
	10-67271-23*	2.06" (52)	1.19" (30)		1"	1.247" (31.67) 1.245" (31.62)			

\* These Duo-flow elbows provide the maximum flow rate available for the size rotary union and elbow size.

Barco has several different syphon elbow combinations available, please contact Barco to discuss your specific needs.



DEUBLIN Company

信德迈科技(北京)有限公司CNMEC Technology

地址：北京市朝阳区望京SOHO-T1-C座2115室

邮编：100029

电话：010-8428 2935 , 8428 3983

传真：010-8428 8762

主页：//www.cnmec.net

电子邮件：sales@cnmec.biz