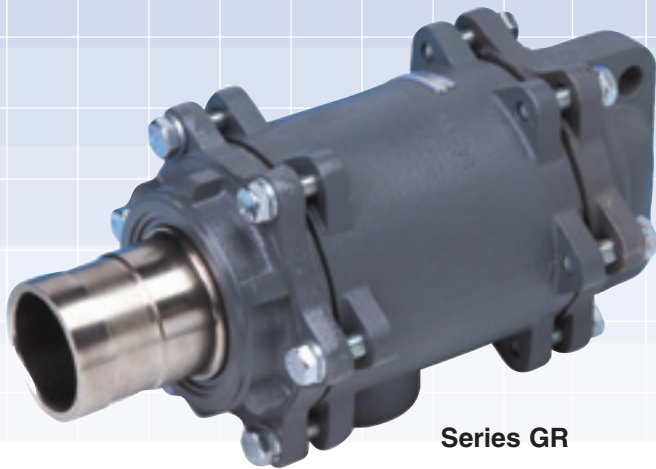
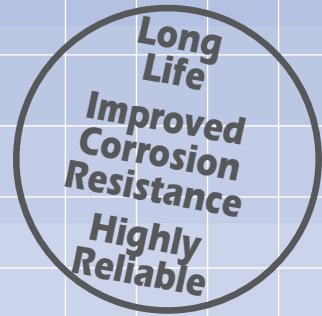
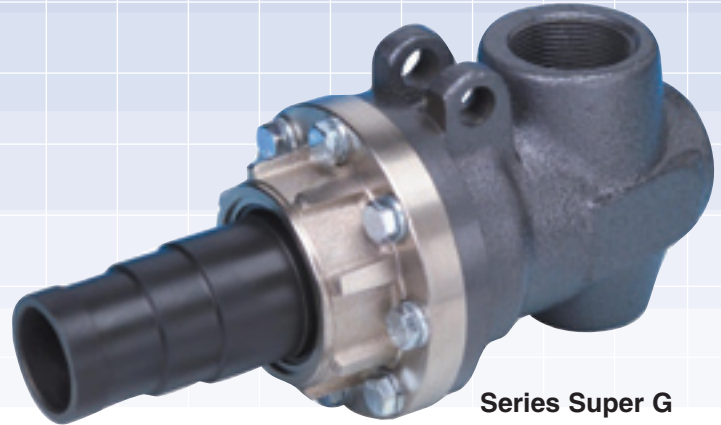


BARCO SERIES **GR** AND **SUPER G**

# Rotary Steam Joints for Open Gear Paper Machines



Series GR



Series Super G

For rotary syphons  
sizes 2", 2½" and 3"

For stationary syphons  
sizes 1¼", 1½" and 2"

## GR Special Design Features

- Antimony seals and bearings in the GRX provide longer life, especially on higher speed machines
- Sleeves are dual-driven by two keys to give greater resistance to side load and eccentric motion.
- External seal wear indicator for preventive maintenance.
- All wear surfaces are treated for improved corrosion resistance.
- Directly interchangeable with competitive designs.
- Seal under compression design can better handle pressure surges and promotes longer life.

## Super G Special Design Features

- Antimony seals and bearings are standard.
- Two widely spaced bearings for stability, greater syphon support and longer wear.
- Available in quick release flange assembly or threaded sleeve.
- External seal wear indicator for preventive maintenance.
- All wear surfaces are treated for improved corrosion resistance.
- Directly interchangeable with competitive designs.
- Seal under compression design can better handle pressure surges and promotes longer life.

### Operating Data

Max. Pressure, Series GR & GRX  
160 PSI      11 BAR

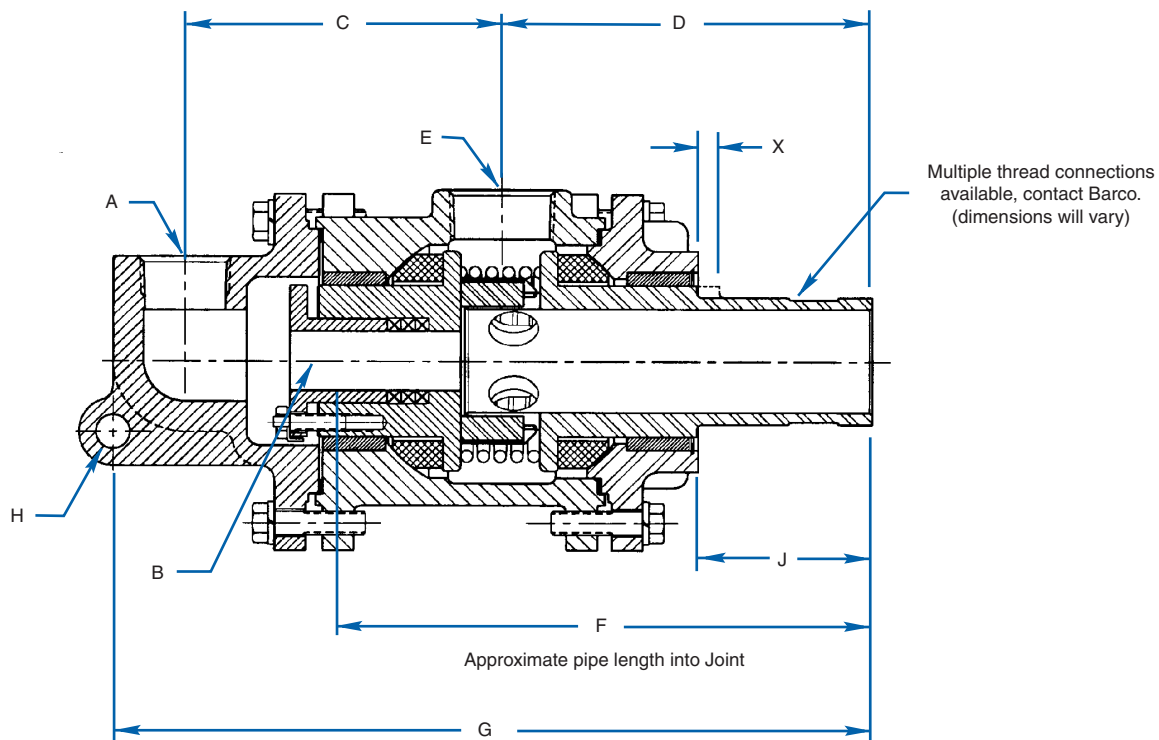
Max. Pressure, Series Super G  
250 PSI      17,2 BAR

# BARCO SERIES GR AND GRX Rotary Steam Joints

## For Open Gear Paper Machines with Rotary Syphons

GR carbon seals under compression

GRX antimony seals and bearings

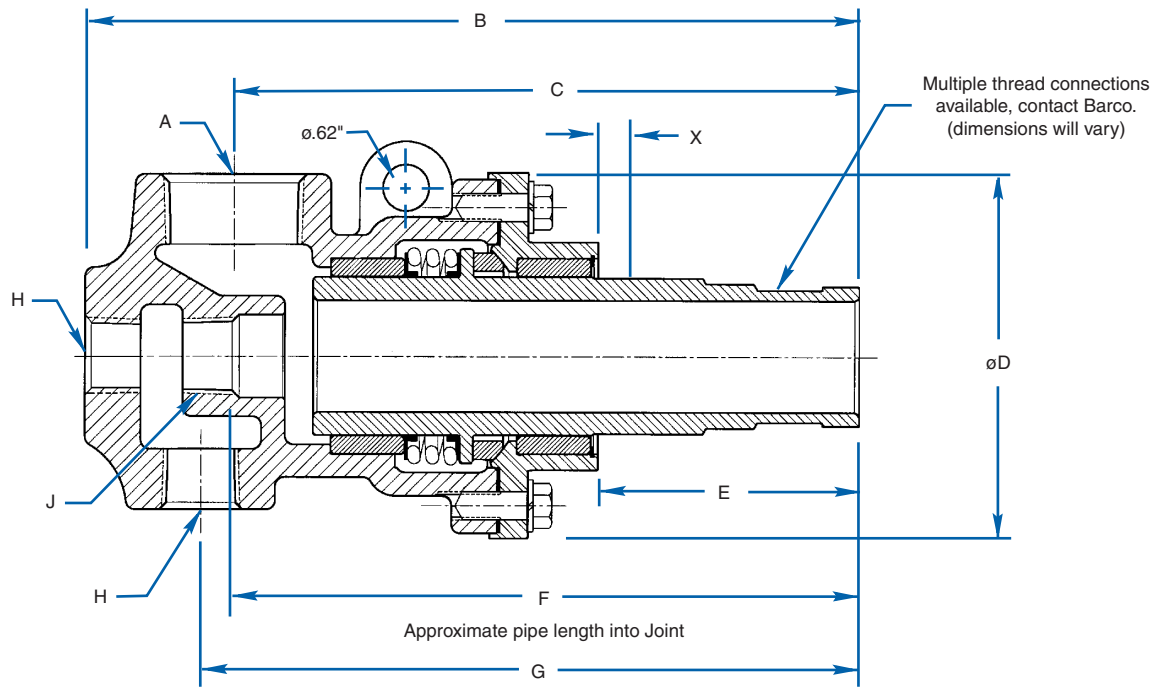


Joint Size	GR Joint Part number	GRX Joint Part number	A Thread NPT	B* Syphon	C	D	E Thread NPT	F	G	H	J	X							
2"	BC-56343-32-62	BC-56743-32-62	1"	3/4"	5.75"	6.88"	1 1/2"	10.00"	13.75"	.62"	3.16"	.44"							
	BC-56354-32-62	BC-56754-32-62	1 1/4"	1"	(146)	(175)		(254)	(349)	(16)	(80)	(11)							
2 1/2"	BC-56343-40-62	BC-56743-40-62	1"	3/4"	6.44"	7.25"	2"	10.75"	14.79"	.69"	3.06"	.41"							
	BC-56344-40-62	BC-56744-40-62	1"	1"									(163)	(184)	(273)	(376)	(17)	(78)	(10)
	BC-56355-40-62	BC-56755-40-62	1 1/4"	1 1/4"															
3"	N/A	BC-56754-48-62	1 1/4"	1"	6.81"	7.51"	2 1/2"	10.75"	15.88"	.69"	2.93"	.41"							
	N/A	BC-56755-48-62	1 1/4"	1 1/4"									(173)	(191)	(273)	(403)	(17)	(74)	(10)
	N/A	BC-56766-48-62	1 1/2"	1 1/2"															

\*Other syphon sizes available, contact Barco.

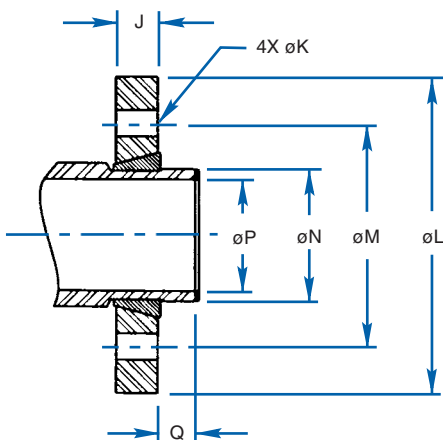
# BARCO SERIES SUPER G Rotary Steam Joints

## For Open Gear Paper Machines with Stationary Syphons



Joint Size	Super G Part number	A Thread NPT	B	C	øD	E	F Syphon	G	H Thread NPT	J Thread NPT	X
1 1/4"	BC-55000-20-62	1 1/4"	10.45" (265)	8.54" (217)	4.38" (111)	3.48" (88)	9.00" (229)	8.85" (225)	3/4"	1/2"	.34" (8,6)
1 1/2"	BC-55000-24-62	1 1/2"	10.87" (276)	8.87" (225)	4.75" (121)	3.63" (92)	9.35" (237)	9.31" (236)	3/4"	3/4"	.34" (8,6)
2"	BC-55000-32-62	2"	12.02" (305)	9.46" (240)	6.00" (152)	3.20" (81)	10.07" (256)	10.08" (256)	1 1/4"	3/4"	.41" (10)

### Flange Detail for GR, GRX, and Super G



Joint Size	Part number*	J	øK	øL	øM	øN	øP	Q
1 1/4"	10-64034-43	.62" (16)	.56" (14)	5.50" (140)	3.50" (89)	1.620" - 1.622" (41,15 - 41,20)	1.25" (32)	.500" (13)
1 1/2"	10-64035-43	.69" (17)	.56" (14)	5.50" (140)	3.58" (98)	1.870" - 1.872" (47,50 - 47,55)	1.50" (38)	.500" (13)
2"	10-64036-43	.75" (19)	.56" (14)	6.81" (173)	4.75" (121)	2.318" - 2.320" (58,88 - 58,93)	1.88" (48)	.625" (16)
2 1/2"	10-64037-43	.88" (22)	.56" (14)	6.75" (171)	4.75" (121)	2.836" - 2.838" (72,03 - 72,08)	2.38" (60)	.748" (19)
3"	10-64038-43	.94" (24)	.69" (18)	8.00" (203)	6.75" (171)	3.428" - 3.430" (87,07 - 87,12)	2.88" (73)	.878" (22)

\*Kit consists of Split Wedges, Flange and Gasket.  
Special Flanges Available on Request, Contact BARCO.

# Serving Industry With the Highest Quality Rotary Unions and Swivel Joints Since 1908

Barco engineered products meet a wide variety of applications requiring various sizes, pressures, speeds, and temperatures and handle a broad range of media.



## Rotary Unions

Designed for applications requiring positive sealing between fixed plumbing and continually rotating machinery. They are used primarily in the printing, paper, rubber, plastics, food processing and machine tool industries.

### Operating Data

Sizes from 1/4" to 3"  
Pressures to 1500 PSI  
Speeds to 10,000 RPM  
Temperatures to 600°F  
Media includes steam, water, brine, oil, gas, heat transfer fluids, air, hydraulic fluids and coolants.



## Plane Swivel Joints

Provide 360° movement between piping system elements in one or more planes for the conveyance or transfer of fluids. They are used primarily in applications such as automatic car wash installations, loading arms for fluids supply and transfer, plant processing machinery applications, steel mill oxygen lances and floating roof tank drain systems.

### Operating Data

Sizes from 1" to 6"  
Pressures to 1250 PSI  
Temperatures to 325°F  
Media includes oil, water, gas and chemicals.



## Self-Aligning Swivel Joints

This is the direct method to handle rotary and angular alignment motion with positive sealing between piping system elements. They are used primarily on platen presses, food processing machinery and particle board presses.

### Operating Data

Sizes from 1/2" to 1 1/2"  
Pressures to 700 PSI  
Temperatures to 650°F  
Media includes steam, hot oil, water and alternating steam and water.

## Custom-Designed Specials

For your special needs, our highly skilled engineers with state-of-the-art computer-aided design and manufacturing technology will design and build the product that will meet your specific requirement.

**Barco**  
**International Headquarters**  
1100 Alexander Court  
Cary, IL 60013-1892  
Phone: (847) 516-0900  
Fax: (847) 516-5590



A DIVISION OF MARISON INDUSTRIES

[www.cnmec.net](http://www.cnmec.net)  
[email: sales@cnmec.biz](mailto:sales@cnmec.biz)

### Distributed By:

信德迈科技(北京)有限公司  
CNMEC Technology  
北京市朝阳区望京SOHO塔1C座2115室  
电话: 010-8428 2935  
手机: 139 1096 2635  
E-mail: [sales@cnmec.biz](mailto:sales@cnmec.biz)

Printed in USA 3/11