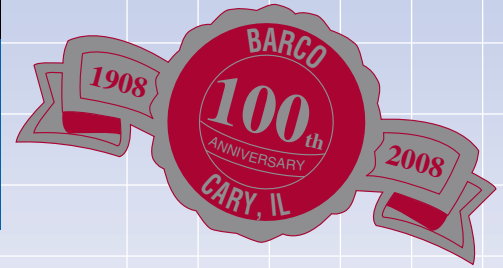


BARCO SERIES TYPE "CS" & "CSF"

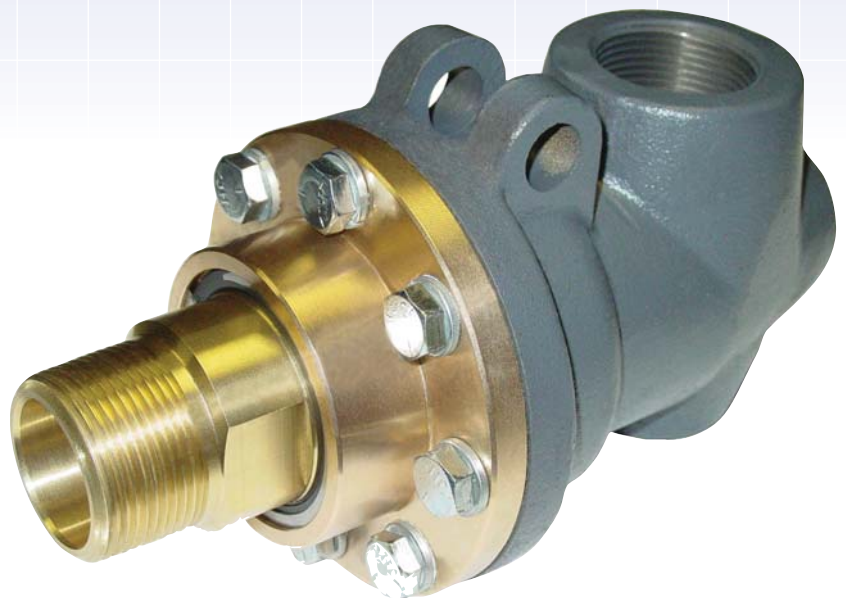
Water & Steam Mono-flow



BC-54165 SERIES

Special Design Features

- **Two widely spaced Carbon Bearings** provides greater support to the syphon pipe and hoses.
- **Carbon Seal** placed under compression add strength and shock resistance. Joints lasts longer.
- **External seal wear indicator** allows for planned maintenance reducing expensive downtime.
- **All metal wear parts are bronze** for excellent corrosion resistance.



Sizes 1/2" to 3"

Type "CS" Bronze Trim Rotary Joints are ideal for a wide range of applications using low pressure steam & water. These joints feature an iron casing, bronze sleeve and end cap, stainless steel spring and spring guides.

The high density carbon seal under compression and widely spaced bearing surfaces assure exceptionally long service life without lubrication. A key maintenance feature is the external seal wear indicator.

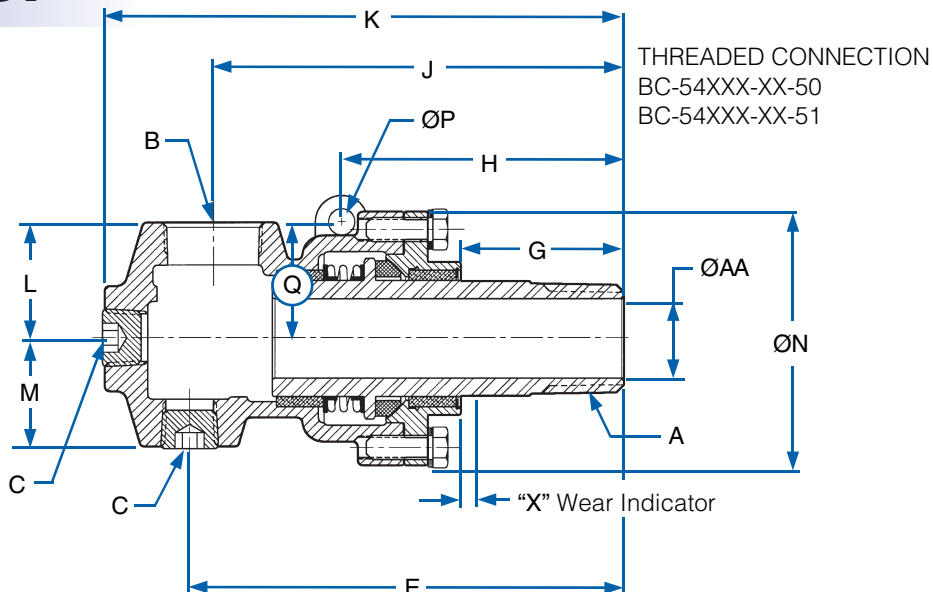
Operating Parameters:

Temperature:	+353°F (+178°C)
Pressure Rating:	
Steam	125 psi (8.6 BAR)
Water	300 psi (20.6 BAR)

TYPE "CS" & "CSF"



Bronze Trim Construction
 Bronze sleeve and end cap, with casing for water, brine and low pressure steam.
 Steam - 125 psi (8.6 BAR)
 Water - 300 psi (20.6 BAR)

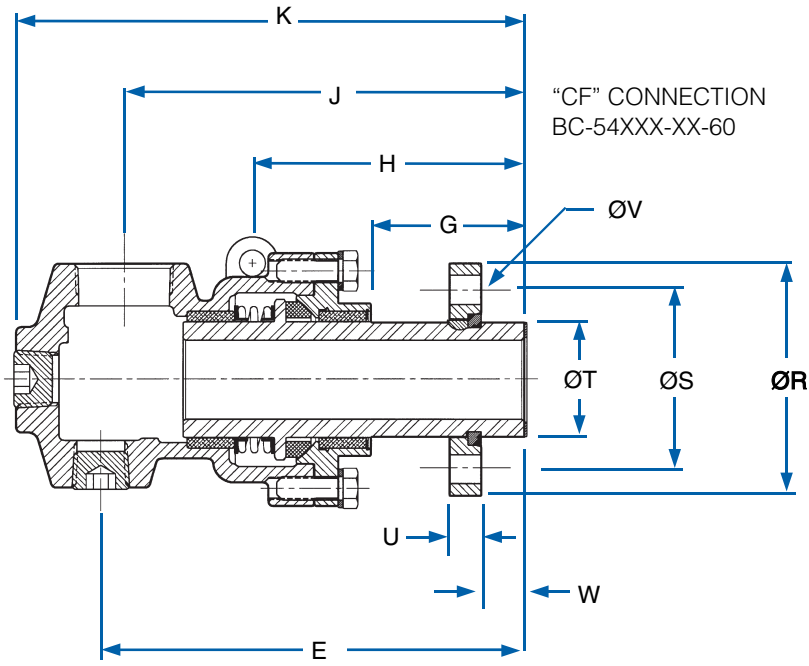


For BSPT threads:

Add a "B" to the end of the part number.

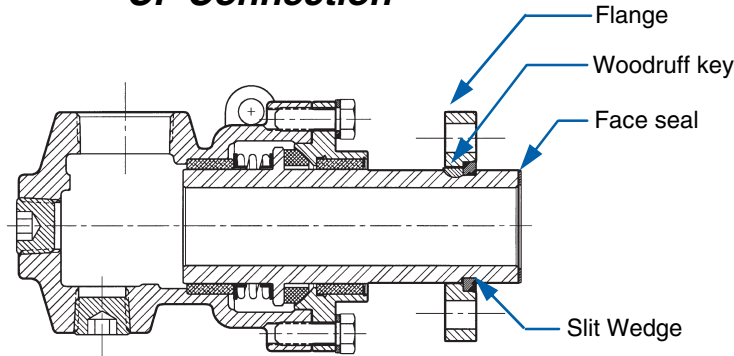
Example: BC-54165-08-50B

Joint Size	Bronze Trim Part Number	A NPT	B NPT	øAA	C NPT	E	G	H	J	K	L	M
1/2"	BC-54165-08-50	1/2" R.H.	1/2"	Ø.50"	1/4"	5.37"	1.73"	—	4.54"	5.87"	1.62"	1.16"
	BC-54165-08-51	1/2" L.H.	1/2"	Ø.50"	1/4"	5.37"	1.73"	—	4.54"	5.87"	1.62"	1.16"
3/4"	BC-54165-12-50	3/4" R.H.	3/4"	Ø.75"	1/2"	5.16"	1.68"	—	4.54"	6.17"	1.75"	1.25"
	BC-54165-12-51	3/4" L.H.	3/4"	Ø.75"	1/2"	5.16"	1.68"	—	4.54"	6.17"	1.75"	1.25"
1"	BC-54165-16-50	1" R.H.	1"	Ø1.00"	1/2"	5.96"	2.03"	4.01"	5.21"	7.01"	2.06"	1.25"
	BC-54165-16-51	1" L.H.	1"	Ø1.00"	1/2"	5.96"	2.03"	4.01"	5.21"	7.01"	2.06"	1.25"
	BC-54165-16-60	CF	1"	Ø1.00"	1/2"	6.69"	2.77"	4.75"	5.94"	7.75"	2.06"	1.25"
1 1/4"	BC-54165-20-50	1 1/4" R.H.	1 1/4"	Ø1.25"	3/4"	6.99"	1.89"	4.37"	6.68"	8.60"	2.19"	1.78"
	BC-54165-20-51	1 1/4" L.H.	1 1/4"	Ø1.25"	3/4"	6.99"	1.89"	4.37"	6.68"	8.60"	2.19"	1.78"
1 1/2"	BC-54165-24-50	1 1/2" R.H.	1 1/2"	Ø1.50"	3/4"	7.48"	2.12"	4.72"	7.04"	9.03"	2.44"	2.06"
	BC-54165-24-51	1 1/2" L.H.	1 1/2"	Ø1.50"	3/4"	7.48"	2.12"	4.72"	7.04"	9.03"	2.44"	2.06"
	BC-54165-24-60	CF	1 1/2"	Ø1.50"	3/4"	8.89"	3.53"	6.13"	8.45"	10.45"	2.44"	2.06"
2"	BC-54165-32-50	2" R.H.	2"	Ø1.88"	1 1/4"	8.62"	2.19"	5.01"	8.06"	10.63"	2.75"	2.56"
	BC-54165-32-51	2" L.H.	2"	Ø1.88"	1 1/4"	8.62"	2.19"	5.01"	8.06"	10.63"	2.75"	2.56"
	BC-54165-32-60	CF	2"	Ø1.88"	1 1/4"	10.09"	3.66"	6.48"	9.53"	12.10"	2.75"	2.56"
2 1/2"	BC-54165-40-50	2 1/2" R.H.	2 1/2"	Ø2.25"	1 1/4"	10.14"	2.91"	6.33"	9.76"	12.45"	3.00"	2.50"
	BC-54165-40-51	2 1/2" L.H.	2 1/2"	Ø2.25"	1 1/4"	10.14"	2.91"	6.33"	9.76"	12.45"	3.00"	2.50"
	BC-54165-40-60	CF	2 1/2"	Ø2.25"	1 1/4"	10.09"	3.66"	6.48"	9.53"	12.10"	3.00"	2.50"
3"	BC-54165-48-50	3" R.H.	3"	Ø2.88"	1 1/2"	10.86"	3.05"	6.60"	10.67"	13.04"	3.62"	2.88"
	BC-54165-48-51	3" L.H.	3"	Ø2.88"	1 1/2"	10.86"	3.05"	6.60"	10.67"	13.04"	3.62"	2.88"
	BC-54165-48-60	CF	3"	Ø2.88"	1 1/2"	11.35"	3.55"	7.10"	11.16"	13.53"	3.62"	2.88"



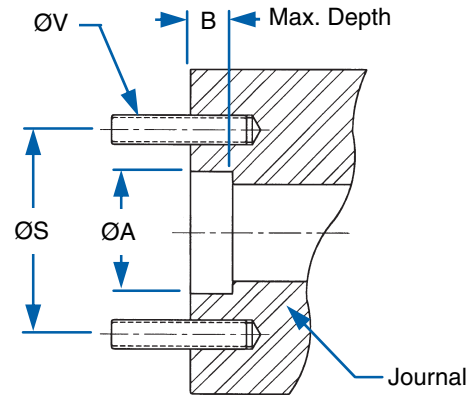
ØN	ØP	Torque Rod O.D. Max.	Q	ØR	ØS	ØT	U	4X ØV	W	“X”	Weight	Joint Size
Ø3.00"	—	—	—	—	—	—	—	—	—	.19"	3.5 lbs	1/2"
Ø3.00"	—	—	—	—	—	—	—	—	—	.19"	3.5 lbs	
Ø3.38"	—	—	—	—	—	—	—	—	—	.19"	5 lbs.	3/4"
Ø3.38"	—	—	—	—	—	—	—	—	—	.19"	5 lbs.	
Ø3.62"	Ø.50"	Ø.38"	1.75"	—	—	—	—	—	—	.25"	6 lbs.	1"
Ø3.62"	Ø.50"	Ø.38"	1.75"	—	—	—	—	—	—	.25"	6 lbs.	
Ø3.62"	Ø.50"	Ø.38"	1.75"	Ø3.88"	Ø2.75"	Ø1.399"-1.401"	.75"	Ø.56"	1.092"	.25"	9 lbs.	1 1/4"
Ø4.38"	Ø.62"	Ø.50"	2.09"	—	—	—	—	—	—	.25"	13 lbs	
Ø4.38"	Ø.62"	Ø.50"	2.09"	—	—	—	—	—	—	.25"	13 lbs	1 1/2"
Ø4.75"	Ø.62"	Ø.50"	2.26"	—	—	—	—	—	—	.25"	15 lbs	
Ø4.75"	Ø.62"	Ø.50"	2.26"	—	—	—	—	—	—	.25"	15 lbs	1 1/2"
Ø4.75"	Ø.62"	Ø.50"	2.26"	Ø4.88"	Ø3.62"	Ø2.091"-2.093"	.75"	Ø.69"	1.092"	.25"	19 lbs	
Ø6.00"	Ø.62"	Ø.50"	2.76"	—	—	—	—	—	—	.31"	26 lbs	2"
Ø6.00"	Ø.62"	Ø.50"	2.76"	—	—	—	—	—	—	.31"	26 lbs	
Ø6.00"	Ø.62"	Ø.50"	2.76"	Ø5.50"	Ø4.25"	Ø2.714"-2.716"	.75"	Ø.69"	1.092"	.31"	31 lbs	2 1/2"
Ø6.75"	Ø.75"	Ø.62"	3.06"	—	—	—	—	—	—	.25"	33 lbs.	
Ø6.75"	Ø.75"	Ø.62"	3.06"	—	—	—	—	—	—	.25"	33 lbs.	2 1/2"
Ø6.75"	Ø.75"	Ø.62"	3.06"	Ø5.88"	Ø4.62"	Ø3.089"-3.091"	.75"	Ø.75"	1.092"	.25"	40 lbs	
Ø7.88"	Ø.94"	Ø.75"	3.62"	—	—	—	—	—	—	.25"	45 lbs.	3"
Ø7.88"	Ø.94"	Ø.75"	3.62"	—	—	—	—	—	—	.25"	45 lbs.	
Ø7.88"	Ø.94"	Ø.75"	3.62"	Ø6.50"	Ø5.25"	Ø3.714"-3.716"	.75"	Ø.69"	1.092"	.25"	50 lbs	

CF Connection



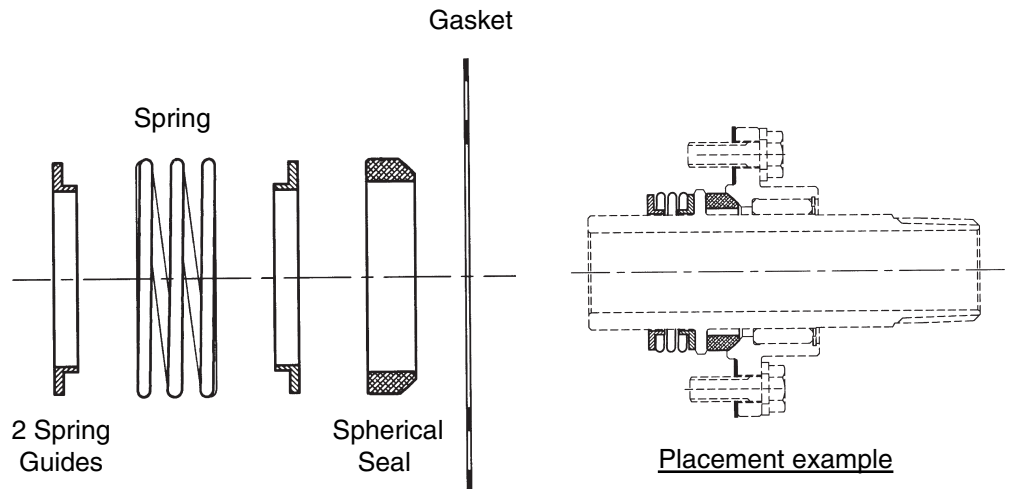
Journal Dimensions

Joint size	CF Connection	
	ØA	B
1"	Ø1.408"-1.406"	1.052"
1 1/2"	Ø2.099"-2.096"	1.052"
2"	Ø2.724"-2.721"	1.052"
2 1/2"	Ø3.099"-3.096"	1.052"
3"	Ø3.724"-3.721"	1.052"



Repair Kits

Joint Size	Part Number
1/2"	10-27274-00
3/4"	10-27275-00
1"	10-27276-00
1 1/4"	10-27277-00
1 1/2"	10-27278-00
2"	10-27279-00
2 1/2"	10-27280-00
3"	10-27281-00



Barco International
1100 Alexander Court
Cary, IL 60013-1892
Phone: (847) 516-0900
Fax: (847) 516-5590



A DIVISION OF MARISON INDUSTRIES

Distributed By:

信德迈科技(北京)有限公司
CNMEC Technology
北京市朝阳区望京SOHO塔1C座2115室
电话：010-8428 2935
手机：139 1096 2635
E-mail：sales@cnmec.biz