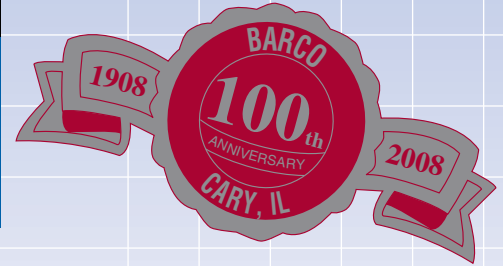


BARCO SERIES TYPE "CR" & "CRF"

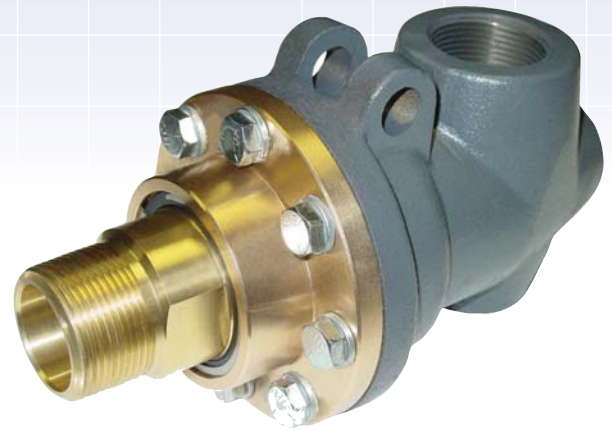
Duo-flow Rotating Syphon



BC-54205 & BC-54206 SERIES

Special Design Features

- **Two widely spaced Carbon Bearings provides greater support to the syphon pipe and hoses.**
- **Carbon Seal placed under compression add strength and shock resistance. Joints lasts longer.**
- **External seal wear indicator allows for planned maintenance reducing expensive downtime.**



Bronze Trim
Sizes 1/2" to 3"



Ferrous Trim
Sizes 1/2" to 3"

The Barco Type "CR" (threaded) and "CRF" Rotary Joints are designed to be used with rotating syphon in water or other circulation service. the rotating syphon pipe is retained by a special bearing (in place of threaded stationary syphon connection), which is independent of the seal. When used in circulating liquid services with relatively equal pressure in both inlet and outlet passages, a small amount of "cross circuit" leakage between the passages must be permissible. Syphon pipes are not furnished, but must be machined to dimensions given in the table supplied. Pressure and temperature ratings are equivalent to those given for Type "C" and "CF" rotary joints.

TYPE "CR" & "CRF"



Bronze Trim Construction
Bronze sleeve and end cap, with casing for water, brine and low pressure steam.
Steam - 125 psi (8.6 BAR)
Water - 300 psi (20.6 BAR)



Ferrous Trim Construction
Recommended for higher pressure steam to 250 psi (17.2 BAR).



Hot Oil Construction
Recommended for Hot Oil services rated at 100 psi (6.8 BAR) & +600°F.

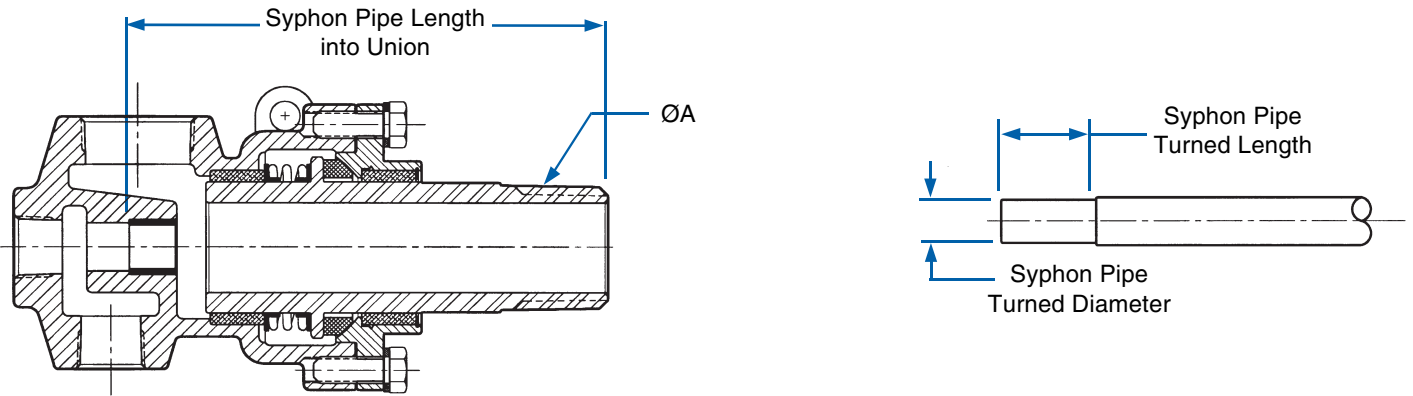
For BSPT threads:

Add a "B" to the end of the part number.

Example: BC-54205-08-50B

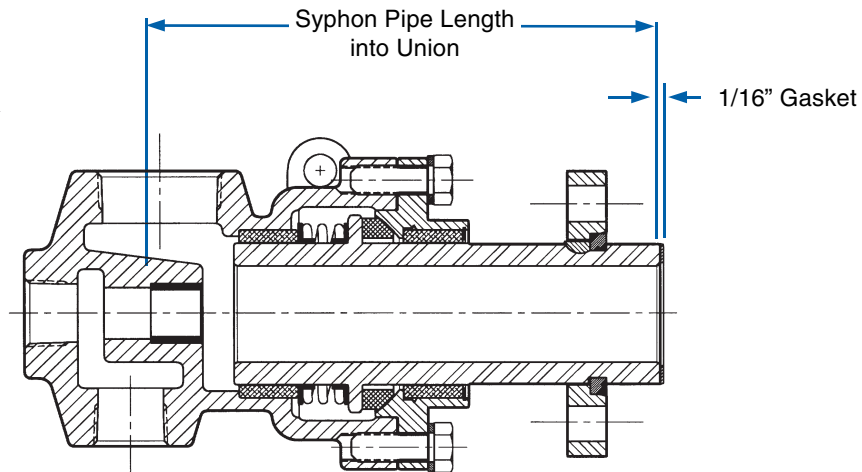
Joint Size	Ferrous Trim Part Number	Bronze Trim Part Number	Hot Oil Part Number	A NPT	Syphon Pipe Size	Syphon Pipe Turned Dimension	Syphon Pipe Turned Length	Syphon Pipe Length into Union
1/2"	BC-54205-08-50	BC-54206-08-50	BC-54205-08-20	1/2" R.H.	1/8"	Ø.371-.372"	1.125"	5.13"
	BC-54205-08-51	BC-54206-08-51	BC-54205-08-21	1/2" L.H.	1/8"	Ø.371-.372"	1.125"	5.13"
3/4"	BC-54205-12-50	BC-54206-12-50	BC-54205-12-20	3/4" R.H.	1/4"	Ø.496-.497"	1.125"	5.07"
	BC-54205-12-51	BC-54206-12-51	BC-54205-12-21	3/4" L.H.	1/4"	Ø.496-.497"	1.125"	5.07"
1"	BC-54205-16-50	BC-54206-16-50	BC-54205-16-20	1" R.H.	3/8"	Ø.621-.622"	1.250"	6.08"
	BC-54205-16-51	BC-54206-16-51	BC-54205-16-21	1" L.H.	3/8"	Ø.621-.622"	1.250"	6.08"
	BC-54205-16-60	BC-54206-16-60	BC-54205-16-30	CF	3/8"	Ø.621-.622"	1.250"	6.82"
	BC-54205-16-62	not available	BC-54205-16-32	QR	3/8"	Ø.621-.622"	1.250"	6.83"
1 1/4"	BC-54205-20-50	BC-54206-20-50	BC-54205-20-20	1 1/4" R.H.	1/2"	Ø.808-.810"	1.500"	7.47"
	BC-54205-20-51	BC-54206-20-51	BC-54205-20-21	1 1/4" L.H.	1/2"	Ø.808-.810"	1.500"	7.47"
	BC-54205-20-62	not available	BC-54205-20-32	QR	1/2"	Ø.808-.810"	1.500"	8.59"
1 1/2"	BC-54205-24-50	BC-54206-24-50	BC-54205-24-20	1 1/2" R.H.	3/4"	Ø.995-.997"	1.500"	7.47"
	BC-54205-24-51	BC-54206-24-51	BC-54205-24-21	1 1/2" L.H.	3/4"	Ø.995-.997"	1.500"	7.47"
	BC-54205-24-60	BC-54206-24-60	BC-54205-24-30	CF	3/4"	Ø.995-.997"	1.500"	8.88"
	BC-54205-24-62	not available	BC-54205-24-32	QR	3/4"	Ø.995-.997"	1.500"	8.89"
2"	BC-54205-32-50	BC-54206-32-50	BC-54205-32-20	2" R.H.	1"	Ø1.245-1.247"	2.000"	8.37"
	BC-54205-32-51	BC-54206-32-51	BC-54205-32-21	2" L.H.	1"	Ø1.245-1.247"	2.000"	8.37"
	BC-54205-32-60	BC-54206-32-60	BC-54205-32-30	CF	1"	Ø1.245-1.247"	2.000"	9.83"
	BC-54205-32-62	not available	BC-54205-32-32	QR	1"	Ø1.245-1.247"	2.000"	9.46"
2 1/2"	BC-54205-40-50	BC-54206-40-50	BC-54205-40-20	2 1/2" R.H.	1 1/4"	Ø1.495-1.497"	2.250"	10.02"
	BC-54205-40-51	BC-54206-40-51	BC-54205-40-21	2 1/2" L.H.	1 1/4"	Ø1.495-1.497"	2.250"	10.02"
	BC-54205-40-60	BC-54206-40-60	BC-54205-40-30	CF	1 1/4"	Ø1.495-1.497"	2.250"	10.64"
	BC-54205-40-62	not available	BC-54205-40-32	QR	1 1/4"	Ø1.495-1.497"	2.250"	10.64"
3"	BC-54205-48-50	BC-54206-48-50	BC-54205-48-20	3" R.H.	1 1/2"	Ø1.745-1.747"	2.250"	11.03"
	BC-54205-48-51	BC-54206-48-51	BC-54205-48-21	3" L.H.	1 1/2"	Ø1.745-1.747"	2.250"	11.03"
	BC-54205-48-60	BC-54206-48-60	BC-54205-48-30	CF	1 1/2"	Ø1.745-1.747"	2.250"	11.54"
	BC-54205-48-62	not available	BC-54205-48-32	QR	1 1/2"	Ø1.745-1.747"	2.250"	11.54"

Threaded End & Syphon Pipe



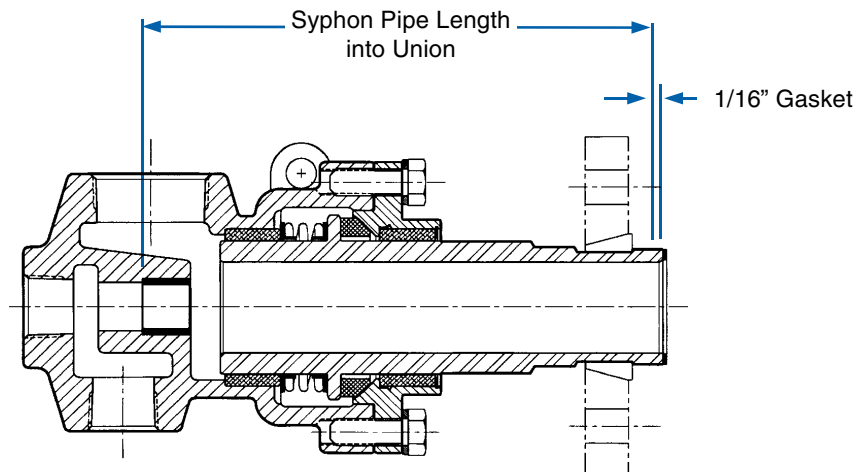
CF Connection

Ferrous & Bronze Trim
1" & 1 1/2" - 3"

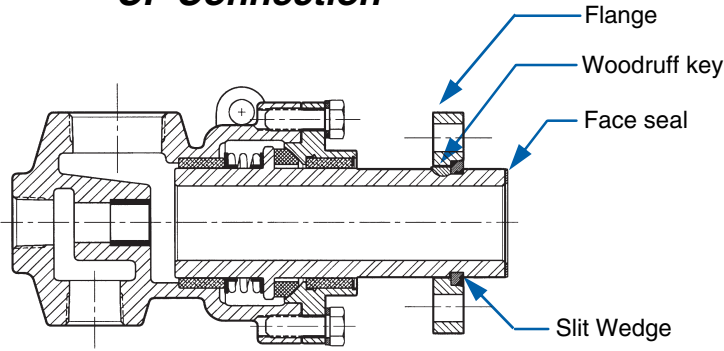


Quick Release Connection

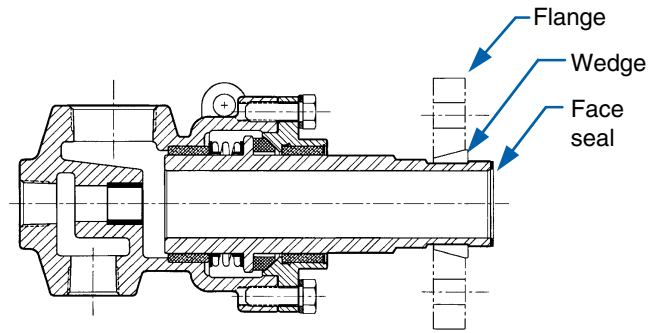
Ferrous Trim Only
1" - 3"



CF Connection

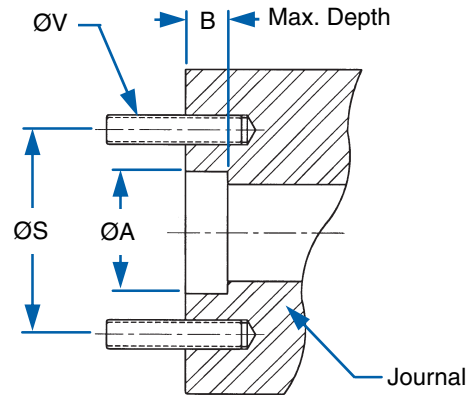


Quick Release Connection



Journal Dimensions

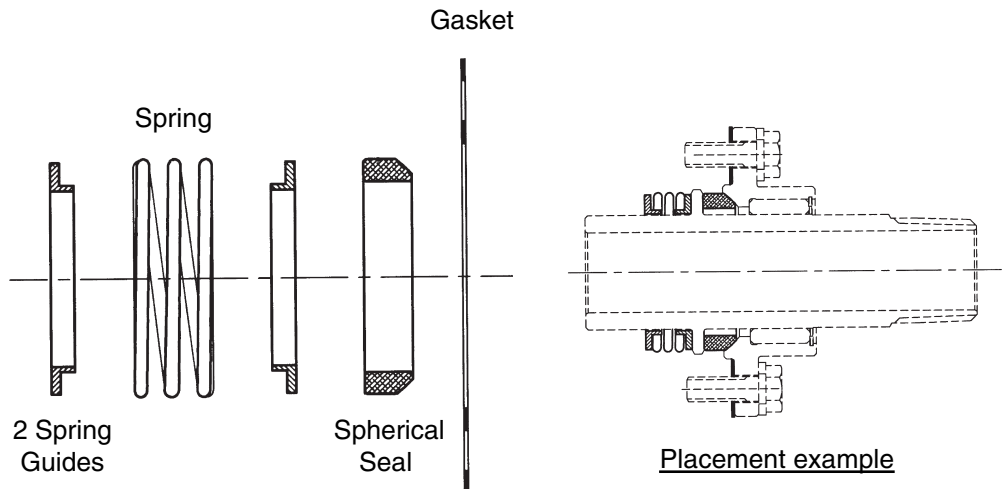
Joint size	CF Connection		Quick Release Connection	
	ØA	B	ØA	B
1"	Ø1.408"-1.406"	1.052"	Ø1.283"-1.279"	.312"
1 1/4"	—	1.052"	Ø1.624"-1.623"	.375"
1 1/2"	Ø2.099"-2.096"	1.052"	Ø1.877"-1.873"	.375"
2"	Ø2.724"-2.721"	1.052"	Ø2.325"-2.321"	.500"
2 1/2"	Ø3.099"-3.096"	1.052"	Ø2.845"-2.841"	.625"
3"	Ø3.724"-3.721"	1.052"	Ø3.439"-3.435"	.875"



Quick Release Flanges and split wedges are available. Contact Barco for more information.

Repair Kits

Joint Size	Part Number
1/2"	10-27274-00
3/4"	10-27275-00
1"	10-27276-00
1 1/4"	10-27277-00
1 1/2"	10-27278-00
2"	10-27279-00
2 1/2"	10-27280-00
3"	10-27281-00



Barco International
 1100 Alexander Court
 Cary, IL 60013-1892
 Phone: (847) 516-0900
 Fax: (847) 516-5590



A DIVISION OF MARISON INDUSTRIES

Distributed By:

信德迈科技(北京)有限公司
 CNMEC Technology
 北京市朝阳区望京SOHO塔1C座2115室
 电话：010-8428 2935
 手机：139 1096 2635
 E-mail：sales@cnmec.biz