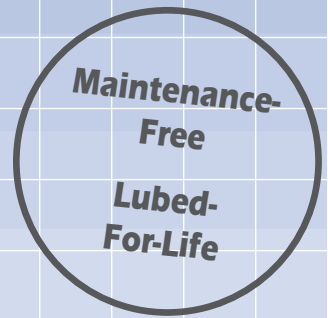


BARCO SERIES **1/8" SFL**

Heavy Duty Small Size Rotary Union



Special Design Features

- **Balanced mechanical seals design optimized for wide range of pressures.**
- **Silicon carbide-to-silicon carbide mechanical seals for maximum durability and long life.**
- **Anodized aluminum housing is light-weight and corrosion resistant.**
- **Low torque.**
- **Available in straight thru & 90° mono-flow styles.**
- **Small size ideal for space constrained applications.**



Available in
Straight & 90° Models

The Barco 1/8" SFL Heavy Duty Rotary Union is designed for long life in high-pressure water, coolant & hydraulic fluid applications.

Our state-of-the-art silicon carbide seals and the specially protected sealed-for-life bearings make this union ideal for new installations as well as for retrofits of other manufacturers' unions.

Operating Parameters

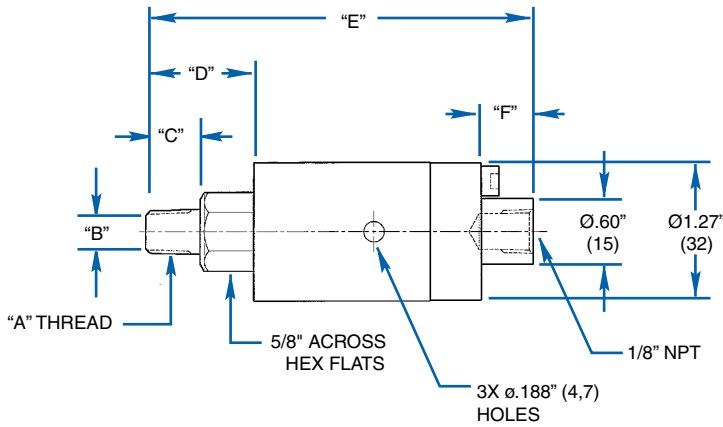
Max. Pressure
2000 PSI 138 BAR

Max. Speed
NPT Threads 1500 RPM
Straight Threads 3600 RPM

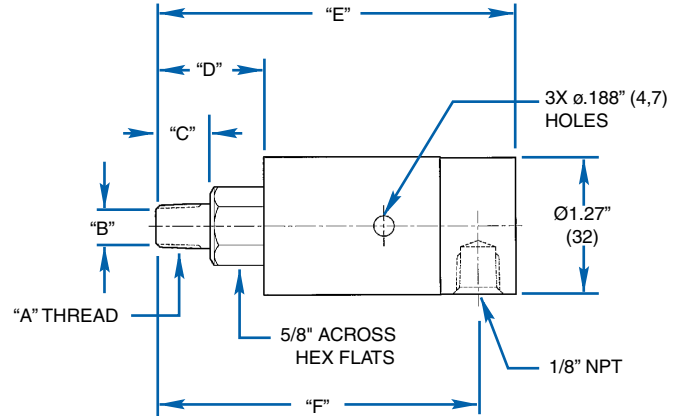
Do not run max. speed and pressure simultaneously.

For higher speed applications, contact Barco.

Do not run dry.



STRAIGHT MODEL



90° MODEL

90° MODEL DIMENSIONS

PART NUMBER	"A" * THREAD	"B" I.D.	"C"	"D"	"E"	"F"
BC-10503-02-06	5/16" UNF (L.H.)	Ø.13"	.47"	.96"	3.28"	2.93"
BC-10504-02-06	5/16" UNF (R.H.)	(3,3)	(12)	(24)	(83)	(74)
BC-10505-02-06	3/8"-24 UNF (L.H.)	Ø.13"	.50"	.99"	3.32"	2.97"
BC-10506-02-06	3/8"-24 UNF (R.H.)	(3,3)	(13)	(25)	(84)	(75)
BC-10507-02-06	1/8" NPT (L.H.)	Ø.13"	.50"	.99"	3.32"	2.97"
BC-10508-02-06	1/8" NPT (R.H.)	(3,3)	(13)	(25)	(84)	(75)
BC-10509-02-06	M10 X 1,0 (L.H.)	Ø.13"	.44"	.93"	3.25"	2.90"
BC-10510-02-06	M10 X 1,0 (R.H.)	(3,3)	(11)	(24)	(82,5)	(74)
BC-10511-02-06	G 1/4" BSPP (L.H.)	Ø.13"	.50"	.99"	3.32"	2.97"
BC-10512-02-06	G 1/4" BSPP (R.H.)	(3,3)	(13)	(25)	(84)	(75)

STRAIGHT MODEL DIMENSIONS

PART NUMBER	"A" * THREAD	"B" I.D.	"C"	"D"	"E"	"F"
BC-10514-02-06	5/16" UNF (L.H.)	Ø.13"	.47"	.96"	3.53"	.48"
BC-10513-02-06	5/16" UNF (R.H.)	(3,3)	(12)	(24)	(90)	(12)
BC-10523-02-06	3/8"-24 UNF (L.H.)	Ø.13"	.50"	.99"	3.57"	.48"
BC-10524-02-06	3/8"-24 UNF (R.H.)	(3,3)	(13)	(25)	(91)	(12)
BC-10525-02-06	1/8" NPT (L.H.)	Ø.13"	.50"	.99"	3.57"	.48"
BC-10526-02-06	1/8" NPT (R.H.)	(3,3)	(13)	(25)	(91)	(12)
BC-10527-02-06	M10 X 1,0 (L.H.)	Ø.13"	.44"	.93"	3.50"	.48"
BC-10528-02-06	M10 X 1,0 (R.H.)	(3,3)	(11)	(24)	(89)	(12)
BC-10529-02-06	G 1/4" BSPP (L.H.)	Ø.13"	.50"	.99"	3.57"	.48"
BC-10530-02-06	G 1/4" BSPP (R.H.)	(3,3)	(13)	(25)	(91)	(12)

* Special threads are available. Contact Barco.



A DIVISION OF MARISON INDUSTRIES

Distributed By:

信德迈科技(北京)有限公司
 CNMEC Technology
 北京市朝阳区望京SOHO塔1C座2115室
 电话：010-8428 2935
 手机：139 1096 2635
 E-mail：sales@cnmec.biz